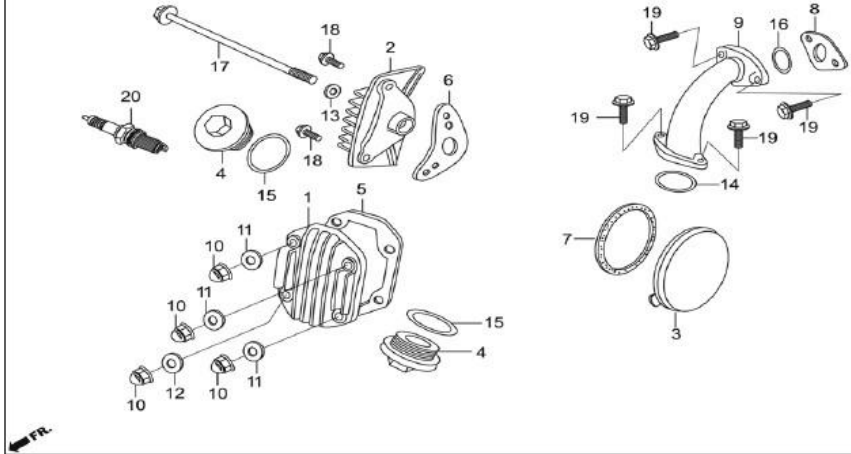


CATALOGO DE PARTES SPLENDOR NXG ES

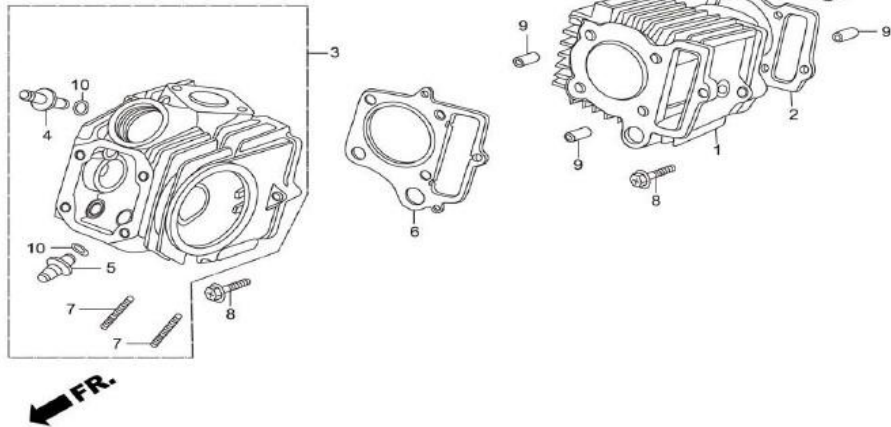
Splendor NXG (Sep, 2008)

E-1
CYLINDER HEAD COVER / INLET PIPE



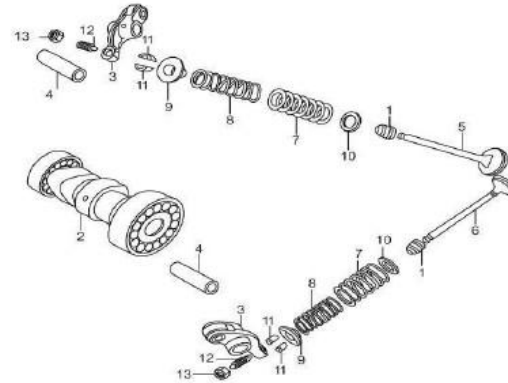
Service Item	F.R.T.	BOM Of Group Number: E-1 Model :: Splendor NXG (Sep, 2008)			
		Ref No.	Part Number	Description	Req.
COVER, CYLINDER HEAD	0.3	1	12301-KWA-900	COVER, CYLINDER HEAD, BLACK	1
GASKET, CYLINDER HEAD COVER	--	2	12331-KVH-950	COVER 'R' CYLINDER HEAD SIDE (BLK)	1
COVER 'R' CYLINDER HEAD SIDE	0.1	3	12341-KWA-900	COVER 'L' CYLINDER HEAD SIDE	1
COVER 'L' CYLINDER HEAD SIDE	0.2	4	12361-035-000	CAP, TAPPET ADJUSTING HOLE	2
SPARK PLUG	0.1	5	12391-KRS-C10	GASKET, CYLINDER HEAD COVER	1
INSULATOR, CARBURETTOR	0.2	6	12394-KRS-C10	GASKET 'R' CYL. HEAD SIDE COVER	1
PIPE, INLET	0.3	7	12395-KRS-C10	GASKET 'L' CYL. HEAD SIDE COVER	1
		8	16211-459-750	INSULATOR, CARBURETTOR	1
		9	17111-198-900	PIPE, INLET	1
		10	90201-GF6-000R	NUT, CAP, 7 MM	4
		11	90442-GF6-000	WASHER, SEALING, 7 MM	3
		12	90443-GF6-000	WASHER, 'A' SEALING, 7 MM	1
		13	90461-357-000	WASHER, SEALING, 12 MM	1
		14	91301-KCC-770	O-RING, 27 X 2 (COLOUR GREEN)	1
		15	91302-KEV-900	O-RING, 30.8 X 3	2
		16	91304-GB1-900	O-RING, 25 X 2.4	1
		17	95701-06110-00	BOLT, FLANGE, 6 X 110	1
		18	96001-06020-00	BOLT, FLANGE, SH. 6 X 20	2
		19	96001-06025-00	BOLT, FLANGE, SH. 6 X 25	4
		20	98056-57738-00	SPARK, PLUG	1

E-2
CYLINDER/ CYLINDER HEAD



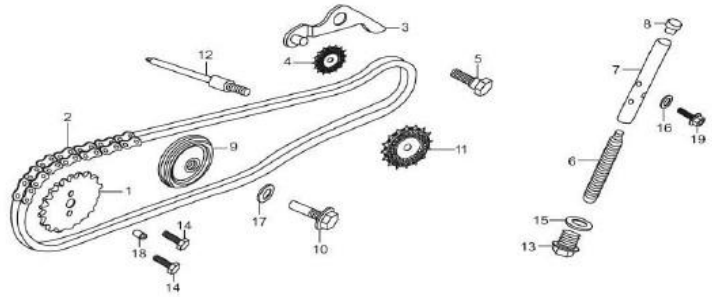
Service Item	F.R.T.	BOM Of Group Number: E-2 Model :: Splendor NXG (Sep, 2008)			
		Ref No.	Part Number	Description	Req.
CYLINDER	1.2				
GASKET, CYLINDER	1.1	1	12101-KST-940	CYLINDER	1
HEAD COMP., CYLINDER	1.6	2	12191-KRS-C10	GASKET, CYLINDER	1
(INC. REAMING)	--	3	12200-KVH-950	HEAD COMP, CYLINDER (BLK)	1
GUIDE, VALVE	--	4	12237-GB4-305	GUIDE,IN. VALVE	1
(ADD 0.3 FOR EACH)	--	5	12245-GB4-305	GUIDE, EXH. VALVE	1
(EXC. VALVE REFACING)	--	6	12251-KST-942	GASKET, CYLINDER HEAD	1
(ADD MORE 0.2 IF PERFORMED)	--	7	90033-041-020	BOLT, STUD, 6 X 32	2
GASKET CYLINDER HEAD	0.9	8	90081-GFP-900	BOLT, SOCKET FLANGE 6 X 23	2
BOLT STUD 6 X 32	0.3	9	90701-GF6-000	PIN, DOWEL, 8 X 14	4
(ADD 0.1 FOR EACH)	--	10	91305-028-150	O'- RING, 9 X1.6	2

E-3
CAM SHAFT/VALVE



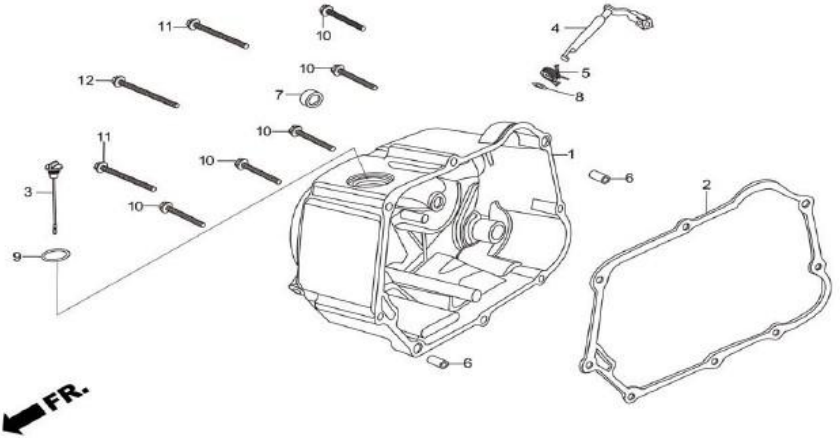
Service Item	F.R.T.	BOM Of Group Number: E-3 Model :: Splendor NXG (Sep, 2008)			
		Ref No.	Part Number	Description	Req.
CAM SHAFT COMP	0.7	1	12209-GB4-685	SEAL, VALVE STEM	2
ARM, VALVE ROCKER (ONE OR ALL)	1.1	2	14100-KST-941	CAM SHAFT COMP.	1
VALVE	--	3	14430-KST-940	ARM COMP., VALVE ROCKER	2
(ADD 0.2 FOR EACH)	--	4	14451-KST-940	SHAFT, ROCKER ARM	2
(INC. REFACING)	--	5	14711-GN5-910L	VALVE INLET	1
(EXC. VALVE GUIDE REPLACEMENT)	--	6	14721-GF6-010L	VALVE EXHAUST	1
SPRING, VALVE INNER	1.2	7	14751-GBG-900	SPRING, VALVE OUTER	2
(ADD 0.1 FOR EACH)	--	8	14761-GBG-900	SPRING, VALVE INNER	2
(INC. RELATIVE PART)	--	9	14771-GB4-680	RETAINER, VALVE SPRING	2
		10	14775-MA6-000	SEAT, VALVE SPRING OUTER	2
		11	14781-MA6-000	COTTER, VALVE	4
		12	90012-333-000R	SCREW, TAPPET ADJUSTING	2
		13	90206-001-000	NUT, TAPPET ADJUSTING	2

E-4
CAM CHAIN TENSIONER



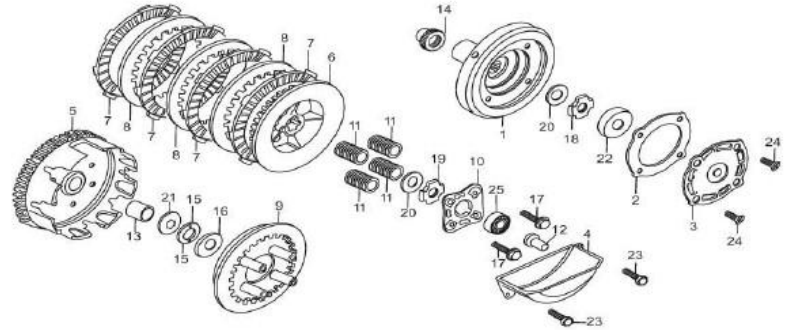
Service Item	F.R.T.	BOM Of Group Number: E-4 Model :: Splendor NXG (Sep, 2008)			
		Ref No.	Part Number	Description	Req.
SPROCKET, CAM(28T)	0.4	1	14321-GB6-900	SPROCKET, CAM (28T)	1
ARM COMP., CAM CHAIN TENSIONER	--	2	14401-178-000	CHAIN, CAM (84L)	1
ROLLER, CAM CHAIN TENSIONER	--	3	14500-035-020	ARM COMP. ,CAM CHAIN TENSIONER	1
CHAIN, CAM (84L)	1.4	4	14502-086-000R	ROLLER, CAM CHAIN TENSIONER	1
PUSH ROD COMP., TENSIONER	0.3	5	14531-035-000	PIVOT, CAM CHAIN TENSIONER	1
ROLLER COMP., CAM CHAIN GUIDE	1.0	6	14541-GB4-680	SPRING, CAM CHAIN TENSIONER	1
SPROCKET, CAM CHAIN GUIDE	1.6	7	14550-GB0-910R	PUSH ROD, COMP., TENSIONER	1
SPINDLE, CAM CHAIN GUIDE	--	8	14566-086-030	HEAD, CAM CHAIN TENSIONER, PUSH ROD	1
		9	14610-086-000R	ROLLER COMP., CAM CHAIN GUIDE	1
		10	14615-035-000	PIN, CAM CHAIN GUIDE ROLLER	1
		11	14670-035-030L	SPROCKET, CAM CHAIN GUIDE	1
		12	14675-178-000	SPINDLE, CAM CHAIN GUIDE SPROCKET	1
		13	90081-035-000	BOLT, SEALING, 14 MM	1
		14	90083-KVH-900	BOLT, KNOCK, 5 MM	2
		15	90441-035-000	WASHER, SEALING, 14 MM	1
		16	90461-357-000	WASHER, SEALING, 12 MM	1
		17	90481-035-000	WASHER, 8 MM	1
		18	90702-GB6-910	PIN, DOWEL,8 X 12	1
		19	96001-06018-00	BOLT, FLANGE, 6 X 18	1

E-5
RIGHT CRANKCASE COVER



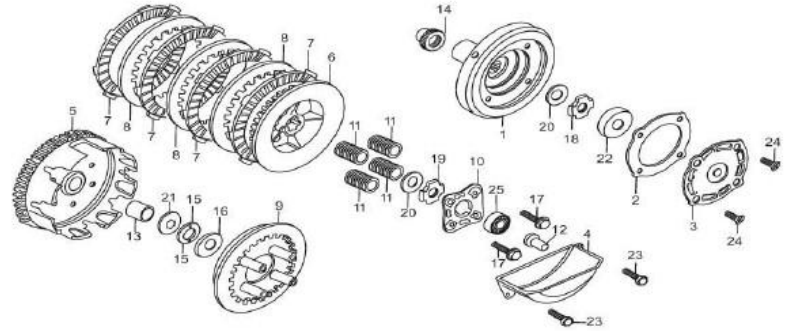
Service Item	F.R.T.	BOM Of Group Number: E-5 Model :: Splendor NXG (Sep, 2008)			
		Ref No.	Part Number	Description	Req.
COVER COMP., 'R' CRANK CASE	0.8	1	11330-KWA-930	COVER COMP., 'R' CRANK CASE (NH-35M)	1
GASKET, 'R' CRANK CASE COVER	0.6	2	11394-GW8-681	GASKET, 'R' CRANK CASE COVER	1
LEVER COMP., CLUTCH (INC. RELATIVE PART)	--	3	15650-KWA-930	GAUGE, OIL LEVEL	1
OIL SEAL, 13.8 X 24 X 5	--	4	22810-198-000	LEVER COMP.,CLUTCH	1
		5	22815-166-000	SPRING, CLUTCH LEVER	1
		6	90702-GB6-910	PIN, DOWEL,8 X 12	2
		7	91202-302-010	OIL SEAL, 13.8 X 24 X 5	1
		8	91303-719-000	O-RING,9 MM	1
		9	91307-035-000	O-RING,18 X 3	1
		10	96001-06040-00	BOLT, FLANGE, SH. 6 X 40	5
		11	96001-06065-00	BOLT, FLANGE, SH. 6 X 65	2
		12	96001-06080-00	BOLT, FLANGE, SH. 6 X 80	1

E-6
CLUTCH



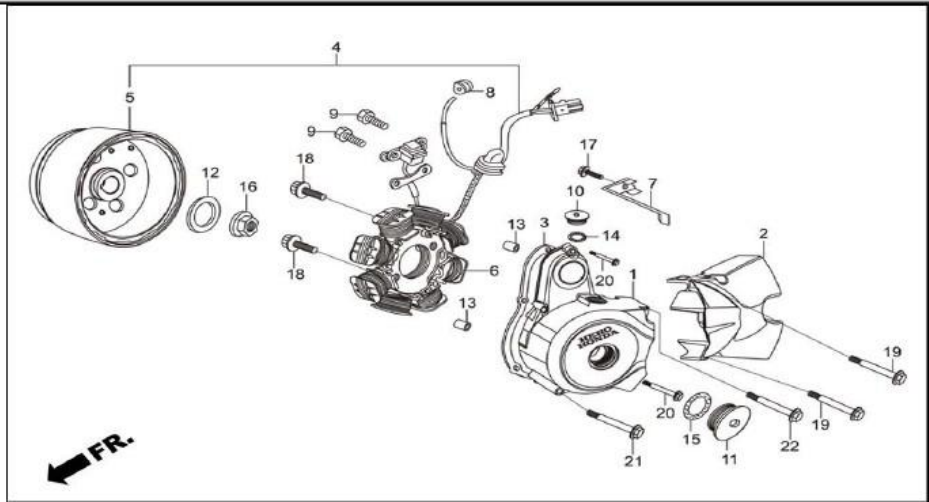
Service Item	F.R.T.	BOM Of Group Number: E-6 Model :: Splendor NXG (Sep, 2008)			
		Ref No.	Part Number	Description	Req.
ROTOR, OIL FILTER	0.9	1	15431-198-000	ROTOR, OIL FILTER	1
COVER, OIL FILTER ROTOR	0.7	2	15439-198-691	GASKET, OIL FILTER ROTOR	1
PLATE, OIL SEPERATOR	1.1	3	15441-198-000	COVER, OIL FILTER ROTOR	1
OUTER COMP., CLUTCH	1.2	4	15661-198-000	PLATE, OIL SEPARATOR	1
CENTER CLUTCH	--	5	22110-KST-940	PLATE, CLUTCH PRESSURE	1
DISC, CLUTCH FRICTION	--	6	22121-198-900	PLATE, CLUTCH LIFTER	1
(ONE OR ALL)	--	7	22201-GF6-000	SPRING, CLUTCH	4
(INC. RELATIVE PART)	--	8	22311-107-000	ROD, CLUTCH LIFTER	1
PLATE, CLUTCH PRESSURE	--	9	22350-115-020	COLLAR, DRIVEN GEAR	1
PLATE, CLUTCH FILTER	--	10	22361-KST-940	GEAR , PRIMARY DRIVE (18T)	1
SPRING CLUTCH (ONE OR ALL)	--	11	22401-GF6-000	COTTER, MAINSHAFT	2
		12	22847-166-000	SET RING MAIN SHAFT	1
		13	23112-198-010	SPECIAL BOLT FLANGE 6 X 25	4
		14	23121-KST-901	NUT, LOCK, 14 MM	1
		15	23216-GF6-000	NUT 'B' LOCK ,14MM	1
		16	23217-GF6-000L	WASHER `B' LOCK	1
		17	90050-KFL-850		
		18	90231-087-000		
		19	90231-198-000		
		20	90432-086-000		

E-6
CLUTCH



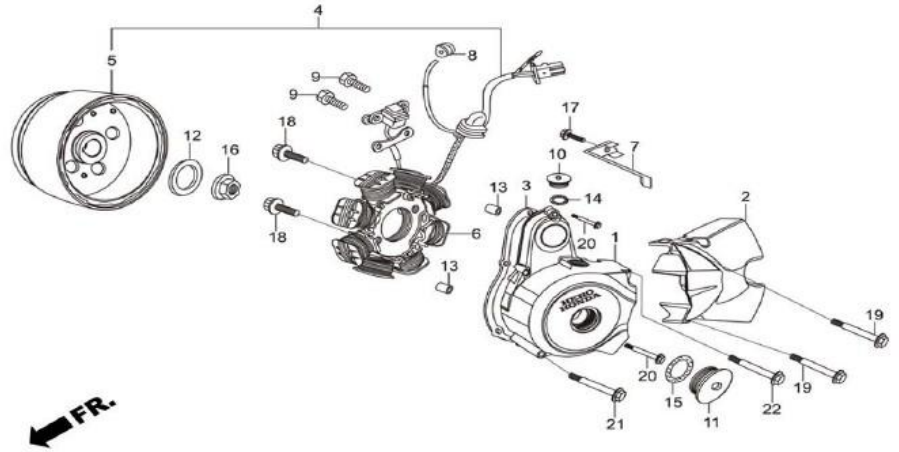
Service Item	F.R.T.	BOM Of Group Number: E-6 Model :: Splendor NXG (Sep, 2008)			
		Ref No.	Part Number	Description	Req.
ROTOR, OIL FILTER	0.9				
COVER, OIL FILTER ROTOR	0.7	21	90461-GF6-000	WASHER, SPLINE, 17 MM	1
PLATE, OIL SEPERATOR	1.1	22	91205-350-000	OIL SEAL , 6 X 25 X 6	1
OUTER COMP., CLUTCH	1.2	23	92020-06020-0A	BOLT, HEX., 6 X 20	2
CENTER CLUTCH	--	24	93600-05012-1H	SCREW, FLAT, 5 X 12	4
DISC, CLUTCH FRICTION (ONE OR ALL)	--	25	96100-60010-00	BEARING , RADIAL BALL , 6001	1
(INC. RELATIVE PART)	--				
PLATE, CLUTCH PRESSURE	--				
PLATE, CLUTCH FILTER	--				
SPRING CLUTCH (ONE OR ALL)	--				

E-7A-SELF
LEFT CRANK CASE COVER / AC GEN. ASSY.



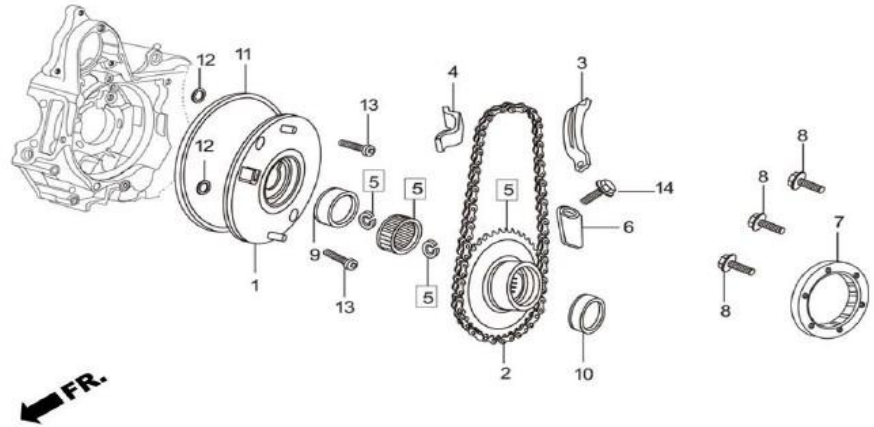
Service Item	F.R.T.	BOM Of Group Number: E-7A-SELF Model :: Splendor NXG (Sep, 2008)			
		Ref No.	Part Number	Description	Req.
COVER 'L' CRANK CASE	0.1	1	11341-KWA-941	COVER 'L' CRANK CASE	1
A.C. GEN. ASSY.	0.5	2	11360-KWA-930	COVER RR L CRANK CASE	1
STATOR, COMP.	--	3	11395-GBJ-731	GASKET L CRANK CASE COVER	1
FLYWHEEL, COMP.	0.3	4	31100-KVH-871	A.C.GEN. FLYWHEEL	1
OIL SEAL, 18.9 X 30 X 5	--	5	31110-KVH-871	FLYWHEEL COMP	1
O-RING, 107 X 2	--	6	31120-KVH-871	STATOR, COMP.	1
		7	32961-KST-940	CLAMPER ACG CORD	1
		8	32981-GB4-780	GORMMET NEUTRAL SWITCH CORD	1
		9	90083-KVH-900	BOLT, KNOCK, 5 MM	2
		10	90084-KWA-930	CAP 14 MM	1
		11	90087-KWA-930	CAP 30MM	1
		12	90410-HC4-000	WASHER ,10MM	1
		13	90702-GB6-910	PIN, DOWEL,8 X 12	2
		14	91303-377-000	'O'-RING, 13.8 X 2.5	1
		15	91356-KGH-901	'O'-RING, 30 MM	1
		16	94050-10000	NUT, FLANGE, 10MM	1
		17	96001-06016-00	BOLT, FLANGE SH. 6 X 16	1
		18	96001-06020-00	BOLT, FLANGE, SH. 6 X 20	2
		19	96001-06028-00	BOLT, FLANGE, SH. 6X28	2
		20	96001-06032-00	BOLT, FLANGE, SH., 6 X 32	2

E-7A-SELF
LEFT CRANK CASE COVER / AC GEN. ASSY.



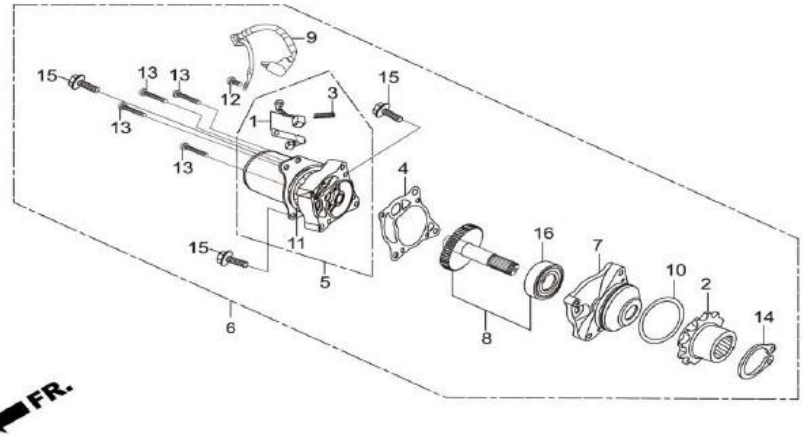
Service Item	F.R.T.	BOM Of Group Number: E-7A-SELF Model:: Splendor NXG (Sep, 2008)			
		Ref No.	Part Number	Description	Req.
COVER 'L' CRANK CASE	0.1				
A.C. GEN. ASSY.	0.5	21	96001-06050-00	BOLT, FLANGE, SH. 6 X 50	1
STATOR, COMP.	--	22	96001-06070-00	BOLT, FLANGE, SH., 6X70	1
FLYWHEEL, COMP.	0.3				
OIL SEAL, 18.9 X 30 X 5	--				
O-RING, 107 X 2	--				

E-7B-SELF
STARTING CLUTCH



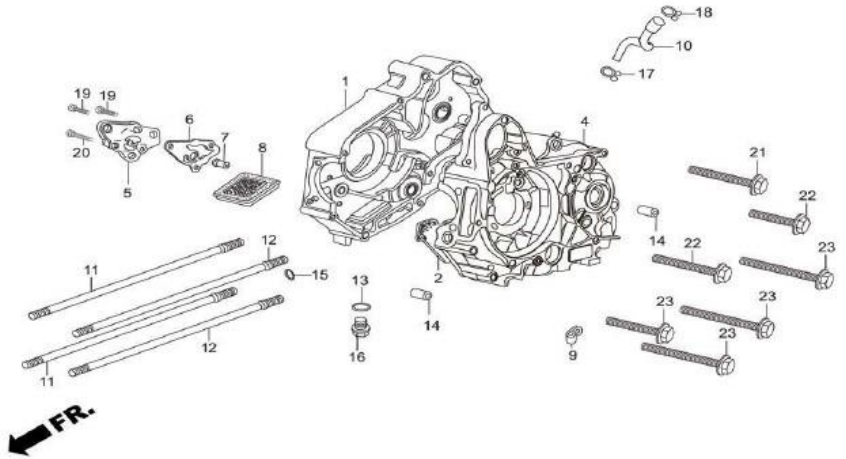
Service Item	F.R.T.	BOM Of Group Number: E-7B-SELF Model :: Splendor NXG (Sep, 2008)			
		Ref No.	Part Number	Description	Req.
COVER 'L' CRANK CASE	0.1	1	11321-KWA-940	PLATE OIL SEPARATE	1
A.C. GEN. ASSY.	0.5	2	28101-KWA-940	CHAIN STARTING	1
STATOR, COMP.	--	3	28102-KWA-940	GUIDE STARTER CHAIN	1
FLYWHEEL, COMP.	0.3	4	28103-GB4-700	PROTECTOR STARTER CHAIN	1
OIL SEAL, 18.9 X 30 X 5	--	5	28110-KWA-940	SPROCKET COMP., STARTING	1
O-RING, 107 X 2	--	6	28117-KFL-850	SET PLATE STARTING SPROKET	1
		7	28120-KWA-941	OUTER COMP. STARTING CLTCH	1
		8	90085-KWA-940	BOLT, SOCKET 6MM	3
		9	91201-GBG-900	OIL SEAL 30×42×4.5	1
		10	91204-GBG-850	OIL SEAL 18.9×28×5	1
		11	91301-035-000	O RING, 107 X2	1
		12	91317-171-000	O RING, 6 X 1.7	2
		13	93600-06016-0A	SCREW, FLAT, 6X16	2
		14	96001-06010-00	BOLT FLANGE SH. 6×10	1

E-7C-SELF
STARTING MOTOR



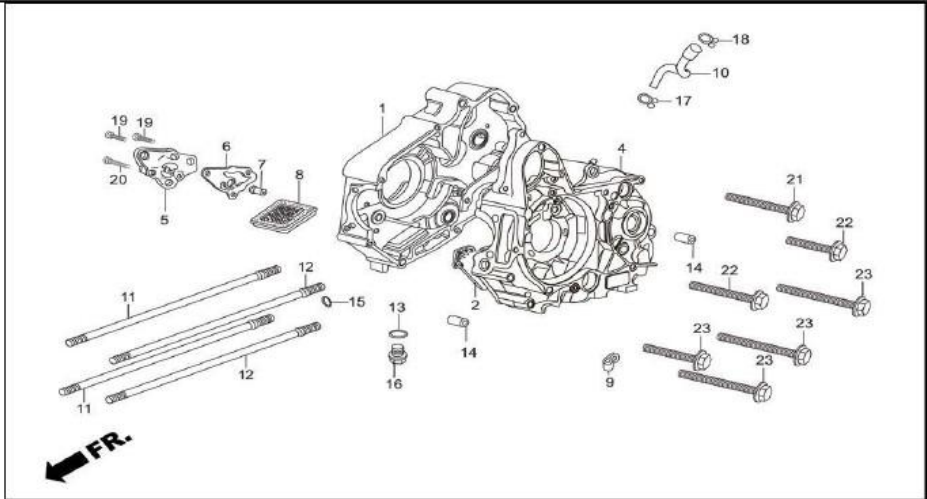
Service Item	F.R.T.	BOM Of Group Number: E-7C-SELF Model:: Splendor NXG (Sep, 2008)			
		Ref No.	Part Number	Description	Req.
COVER 'L' CRANK CASE	0.1	1	31201-KG8-004	BUSH SET	1
A.C. GEN. ASSY.	0.5	2	31202-GB2-700L	SPROCKET	1
STATOR, COMP.	--	3	31204-KG8-004	BRUSH, SPRING	1
FLYWHEEL, COMP.	0.3	4	31205-KWA-941	PACKING	1
OIL SEAL, 18.9 X 30 X 5	--	5	31208-KWA-941	MOTOR ONLY	1
O-RING, 107 X 2	--	6	31210-KWA-941	MOTOR UNIT STARTER	1
		7	31211-KWA-941	CASE 'A' FRONT	1
		8	31213-GB4-701L	GEAR COMP., DRIVEN	1
		9	32410-KVH-871	SUB HARNESS 'A'	1
		10	91308-GB4-701L	O-RING A	1
		11	91309-GB2-701L	O-RING B	1
		12	93892-04006-08L	SCREW, WASH., 4X6	1
		13	93892-05030-08L	SCREW, WASH., 5X30	4
		14	94510-12000	CIRCLIP, EXTERNAL, 12 MM	1
		15	96001-06045-00	BOLT, FLANGE, SH. 6 X 45	3
		16	96120-60010-10L	BEARING, BALL RADIAL	1

E-8-SELF
CRANK CASE/ OIL PUMP



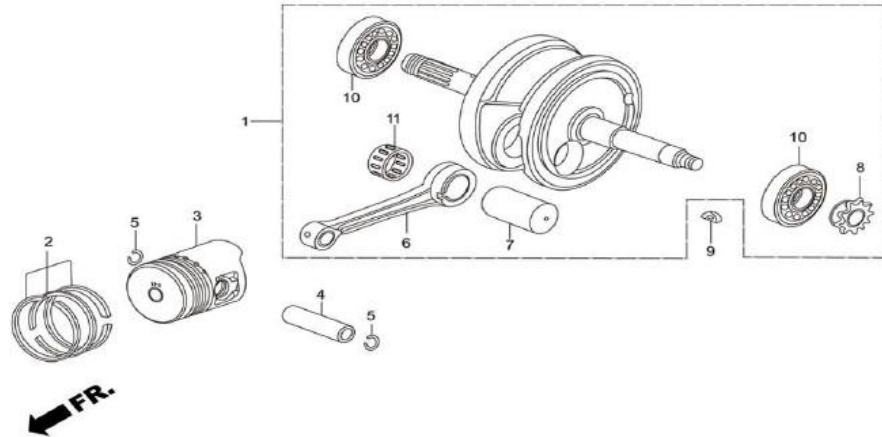
Service Item	F.R.T.	BOM Of Group Number: E-8-SELF Model :: Splendor NXG (Sep, 2008)			
		Ref No.	Part Number	Description	Req.
CRANK CASE COMP., 'R'	4.0	1	11100-KWA-900	CRANK CASE COMP., 'R'(BLACK)	1
GASKET CRANK CASE	3.6	2	11191-KRS-C10	GASKET CRANK CASE	1
CRANK CASE COMP. 'L'	4.4	4	11200-KWA-940	CRANK CASE COMP. LEFT	1
SCREEN OIL FILTER	0.6	8	15421-035-010	SCREEN, OIL FILTER	1
BOLT CYLINDER STUD	1.1	5	15100-KCC-900	PUMP ASSY.,OIL	1
(ADD 0.1 FOR EACH)	--	6	15119-178-000	GASKET, OIL PUMP BODY	1
PUMP ASSY. OIL	--	7	15384-178-000	PIVOT, OIL PUMP	1
(INC. RELATIVE PART)	--	8	15421-035-010	SCREEN, OIL FILTER	1
		9	16236-045-010	CLAMPER, OVER FLOW PIPE	1
		10	17371-KCC-940	TUBE,BREATHER	1
		11	90031-GF6-000R	BOLT 'A', CYLINDER STUD, 6 X 198 X 7	2
		12	90032-GF6-000R	BOLT 'B', CYLINDER STUD, 6 X 205.5 X 7	2
		13	90407-259-000	PACKING,DRAIN COCK, 12.5 X 20	1
		14	90703-HC4-000	DOWEL PIN, 10X14	2
		15	91303-GF6-000	PACKING ,RUBBER ,16MM	1
		16	92800-12000-00	BOLT, DRAIN PLUG, 12MM	1
		17	95002-02100	CLIP, B-10 TUBE	1
		18	95002-80000	CLIP,C12 TUBE	1
		19	96001-06016-00	BOLT, FLANGE SH. 6 X 16	2
		20	96001-06025-00	BOLT, FLANGE, SH. 6 X 25	1
		21	96001-06050-00	BOLT, FLANGE, SH. 6 X 50	1

E-8-SELF
CRANK CASE/ OIL PUMP



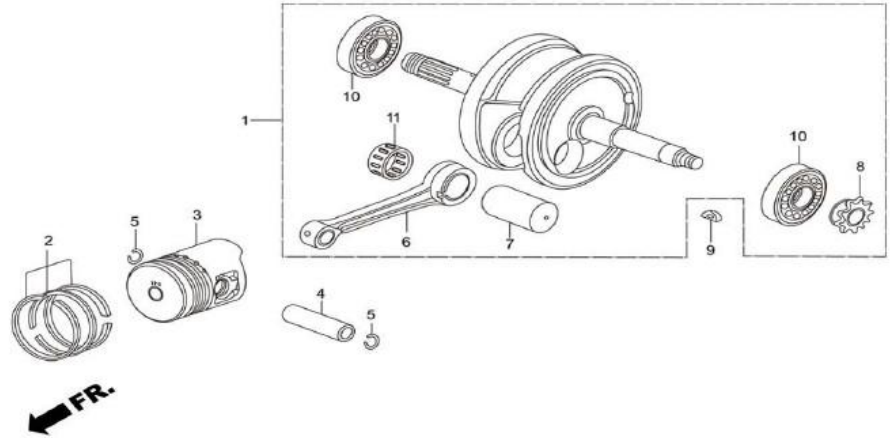
Service Item	F.R.T.	BOM Of Group Number: E-8-SELF Model :: Splendor NXG (Sep, 2008)			
		Ref No.	Part Number	Description	Req.
CRANK CASE COMP., 'R'	4.0				
GASKET CRANK CASE	3.6	22	96001-06060-00	BOLT, FLANGE, SH. 6 X 60	2
CRANK CASE COMP. 'L'	4.4	23	96001-06065-00	BOLT, FLANGE, SH. 6 X 65	4
SCREEN OIL FILTER	0.6				
BOLT CYLINDER STUD	1.1				
(ADD 0.1 FOR EACH)	--				
PUMP ASSY. OIL	--				
(INC. RELATIVE PART)	--				

E-9
CRANK SHAFT/ PISTON



Service Item	F.R.T.	BOM Of Group Number: E-9 Model :: Splendor NXG (Sep, 2008)			
		Ref No.	Part Number	Description	Req.
CRANK SHAFT COMP.	4.0	1	13000-KWA-940	CRANK SHAFT COMP.	1
RING SET PISTON	1.3	2	13011-198-771	RING SET,PISTON (STD)	1
PISTON	--		13012-198-771	RING SET, PISTON (0.25)	1
PIN PISTON	1.2		13013-198-771	RING SET, PISTON (0.50)	1
ROD CONNECTING(ACTUAL TIME)	--		13014-198-771	RING SET, PISTON (0.75)	1
(INC. RELATIVE PART)	--		13015-198-771	RING SET, PISTON (1.00)	1
BEARING , RADIAL BALL, 6304	4.2	3	13101-GN5-910	PISTON (STD)	1
(ADD 0.2 FOR EACH)	--		13102-GN5-325L	PISTON O/S(0.25)	1
			13103-GN5-325L	PISTON O/S(0.50)	1
			13104-GN5-325	PISTON OVER SIZE (0.75)	1
			13104-GN5-325L	PISTON OVER SIZE (0.75)	1
			13105-GN5-325L	PISTON O/S(1.00)	1
		4	13111-087-000	PIN, PISTON	1
		5	13115-001-000	CLIP, PISTON PIN	2
		6	13201-GF6-300	ROD, CONNECTING	1
		7	13381-KCC-900L	PIN CRANK	1
		8	14311-035-000	SPROCKET, TIMING (14T)	1
		9	90741-KFB-000	KEY,WOODRUFF,4 MM	1
		10	91001-GF6-000	BEARING, RADIAL BALL, 6304	2
		11	91102-GF6-000R	BEARING, CONNECTING ROD(BLUE)	1

E-9
CRANK SHAFT/ PISTON

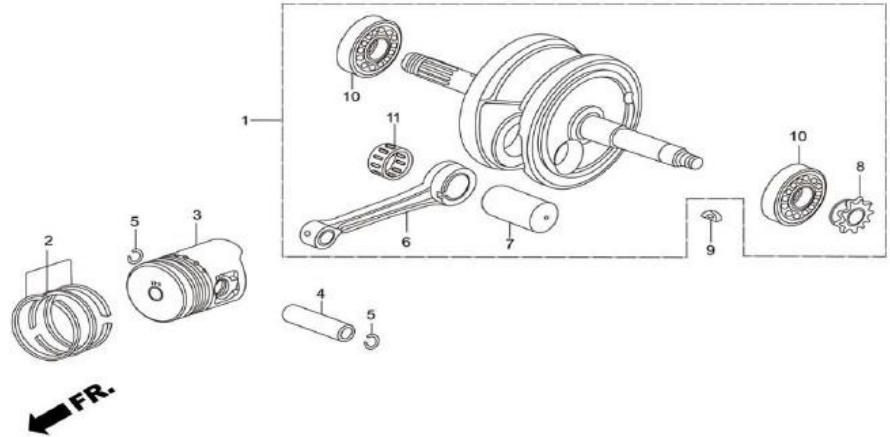


Service Item	F.R.T.
CRANK SHAFT COMP.	4.0
RING SET PISTON	1.3
PISTON	--
PIN PISTON	1.2
ROD CONNECTING(ACTUAL TIME)	--
(INC. RELATIVE PART)	--
BEARING , RADIAL BALL, 6304	4.2
(ADD 0.2 FOR EACH)	--

BOM Of Group Number: E-9 Model :: Splendor NXG (Sep, 2008)

Ref No.	Part Number	Description	Req.
	91101-GF6-000R	BEARING,CONNECTING ROD (RED)	1
	91103-GF6-000R	BEARING, CONNECTING ROD (WHITE)	1

E-9
CRANK SHAFT/ PISTON

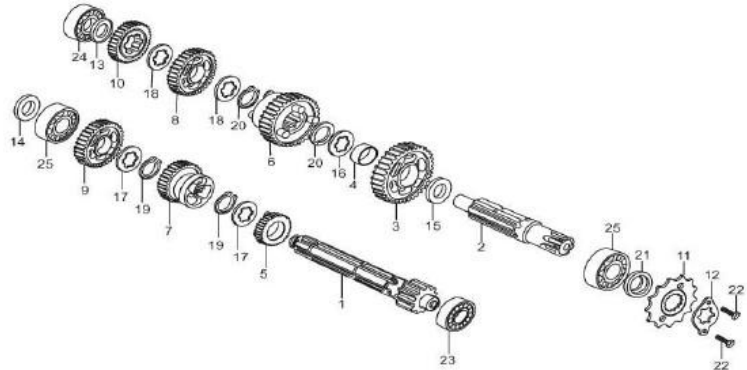


Service Item	F.R.T.
CRANK SHAFT COMP.	4.0
RING SET PISTON	1.3
PISTON	--
PIN PISTON	1.2
ROD CONNECTING(ACTUAL TIME)	--
(INC. RELATIVE PART)	--
BEARING , RADIAL BALL, 6304	4.2
(ADD 0.2 FOR EACH)	--

BOM Of Group Number: E-9Model :: Splendor NXG (Sep, 2008)

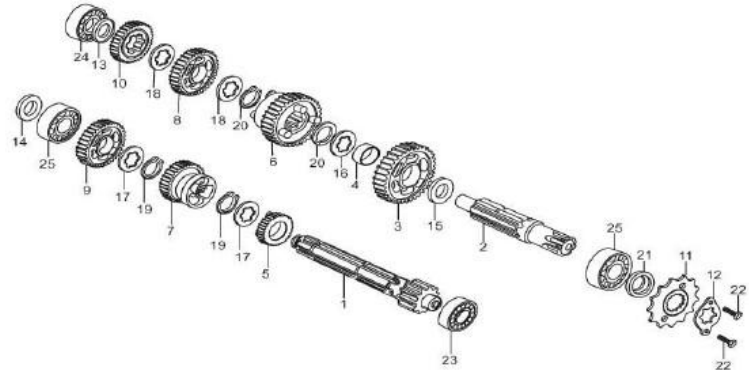
Crank Pin CODE (Colour)	1	2	3	4	5	
	Connecting rod code	-0.001 +0.001 (Green)	+0.001 +0.003 (Yellow)	+0.003 +0.005 (White)	+0.005 +0.007 (Blue)	+0.007 +0.009 (Brown)
a	-0.001 -0.003 91102-GF6-000R Blue		91103-GF6-000R White			
A	+0.001 -0.001	91102-GF6-000R Blue		91103-GF6-000R White		
B	+0.003 +0.001	91101-GF6-000R Red	91102-GF6-000R Blue		91103-GF6-000R White	
C	+0.005 +0.003		91101-GF6-000R Red	91102-GF6-000R Blue		
D	+0.007 +0.005			91101-GF6-000R Red	91102-GF6-000R Blue	
E	+0.009 +0.007				91101-GF6-000R Red	
F	+0.011 +0.009					91101-GF6-000R Red

E-10 TRANSMISSION



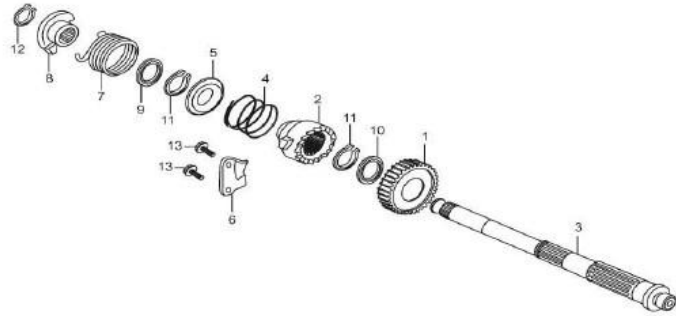
Service Item	F.R.T.	BOM Of Group Number: E-10 Model :: Splendor NXG (Sep, 2008)			
		Ref No.	Part Number	Description	Req.
MAIN SHAFT (INC. RELATIVE PART)	*3.8	1	23211-KST-940	MAIN SHAFT (10T)	1
COUNTER SHAFT (INC. RELATIVE PART) (WHEN SERVICING COMP., UNIT)	--	2	23221-GF6-000	COUNTER SHAFT	1
F.R.T IS 4.0	--	3	23421-KST-940	GEAR, COUNTER SHAFT LOW (31T)	1
SPROCKET, DRIVE	0.2	4	23422-GB4-770	BUSH, 20 X 9	1
		5	23431-GN5-910	GEAR, MAIN SHAFT SECOND (17T)	1
		6	23441-GB4-770	GEAR, COUNTER SHAFT SECOND (29T)	1
		7	23451-KST-940	GEAR, MAIN SHAFT THIRD (21T)	1
		8	23461-KST-940	GEAR, COUNTER SHAFT THIRD (25T)	1
		9	23471-GF6-000	GEAR, MAIN SHAFT FOURTH (24T)	1
		10	23481-GF6-000	GEAR, COUNTER SHAFT FOURTH (22T)	1
		11	23801-178-000	SPROCKET, DRIVE, (14T)	1
		12	23802-040-000	PLATE, DRIVE SPROCKET FIXING	1
		13	90451-GF6-000	WASHER THRUST 12MM	1
		14	90451-198-000	WASHER, THRUST, 17 MM	1
		15	90452-GB4-770	WASHER, THRUST, 17MM	1
		16	90461-GB4-770	WASHER, SPLINE, 20 X 1.2	1
		17	90461-035-000	WASHER, SPLINE, 17 MM	2
		18	90461-459-000	WASHER, SPLINE, 20 MM	2
		19	90601-001-000	CIRCLIP, EXTERNAL, 17MM	2
		20	90601-459-000	CIRCLIP, 20 MM	2

E-10
TRANSMISSION



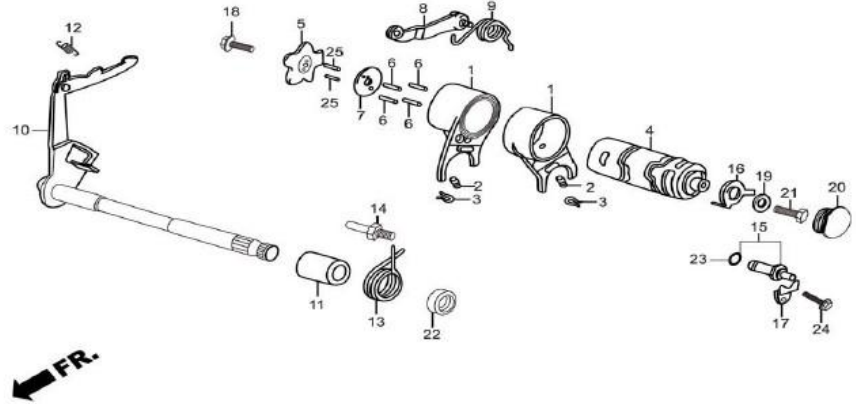
Service Item	F.R.T.	BOM Of Group Number: E-10 Model :: Splendor NXG (Sep, 2008)			
		Ref No.	Part Number	Description	Req.
MAIN SHAFT (INC. RELATIVE PART)	*3.8 --	21	91203-GB5-760	OIL SEAL, 17 X 29 X 5	1
COUNTER SHAFT (INC. RELATIVE PART)	--	22	92000-06008-0H	BOLT HEX., 6 X 8	2
(WHEN SERVICING COMP., UNIT)	--	23	96100-60010-00	BEARING , RADIAL BALL , 6001	1
F.R.T IS 4.0	--	24	96100-62010-00	BEARING, RADIAL BALL, 6201	1
SPROCKET, DRIVE	0.2	25	96100-62030-00	BEARING, RADIAL BALL, 6203	2

E-11
KICK STARTER



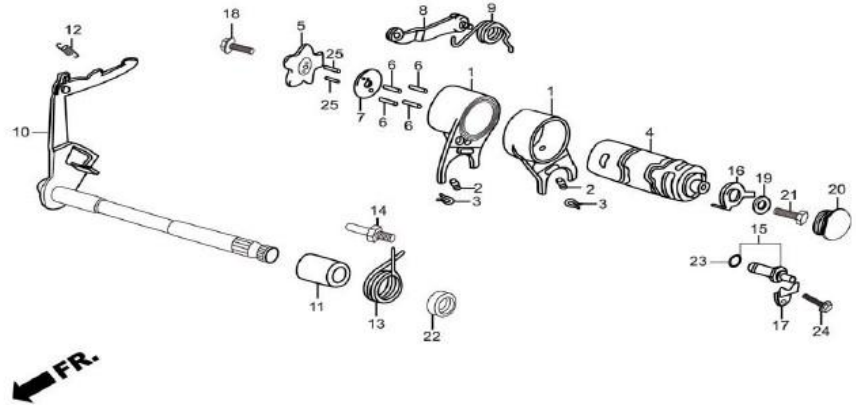
Service Item	F.R.T.	BOM Of Group Number: E-11 Model :: Splendor NXG (Sep, 2008)			
		Ref No.	Part Number	Description	Req.
MAIN SHAFT (INC. RELATIVE PART)	*3.8 --	1	28211-KST-940	PINION, KICK STARTER	1
COUNTER SHAFT (INC. RELATIVE PART)	--	2	28221-KST-940	RATCHET,KICK STARTER	1
(WHEN SERVICING COMP., UNIT)	--	3	28251-GF6-000	SPINDLE, KICK STARTER	1
F.R.T IS 4.0	--	4	28253-397-000	SPRING, KICK STARTER RATCHET	1
SPROCKET, DRIVE	0.2	5	28254-198-000	RETAINER, RATCHET SPRING	1
		6	28256-198-000	PLATE ,RATCHET GUIDE	1
		7	28261-198-000	SPRING, KICK STARTER	1
		8	28262-198-000	RETAINER, KICK SPRING	1
		9	90452-115-000	WASHER ,17MM	1
		10	90454-107-000	WASHER ,THRUST, 20MM	1
		11	90601-459-000	CIRCLIP, 20 MM	2
		12	94510-16000	CIRCLIP, EXTERNAL, 16 MM	1
		13	95701-06020-00	BOLT, FLANGE, 6X20	2

E-12
GEAR SHIFT



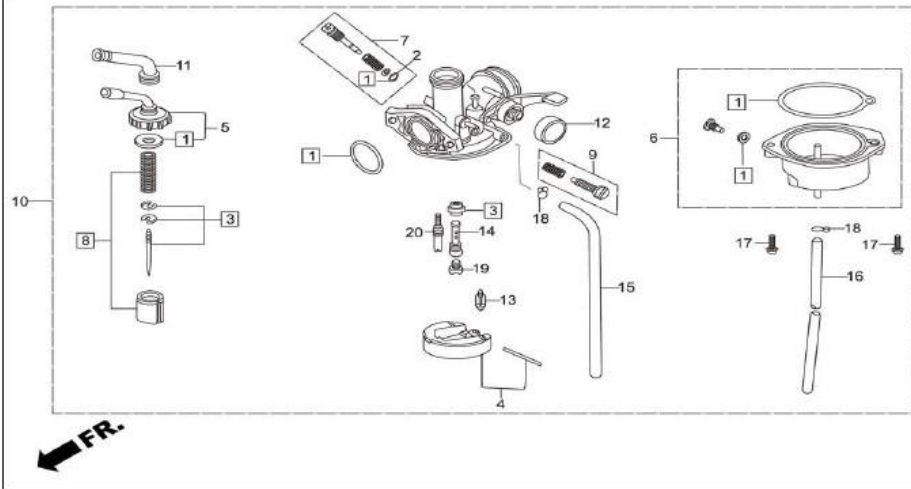
Service Item	F.R.T.	BOM Of Group Number: E-12 Model :: Splendor NXG (Sep, 2008)			
		Ref No.	Part Number	Description	Req.
FORK GEAR SHIFT (ONE OR ALL)	3.8 --	1	24211-GF6-000R	FORK, GEARSHIFT	2
DRUM GEAR SHIFT	--	2	24261-121-742	PIN, GEARSHIFT FORK GUIDE	2
PLATE SHIFT DRUM STOPPER	--	3	24263-028-000	CLIP, GEARSHIFT FORK GUIDE PIN	2
ARM COMP. SHIFT DRUM STOPPER (INC. RELATIVE PART)	--	4	24301-198-900	DRUM ,GEARSHIFT	1
SPINDEL COMP., GEAR SHIFT (INC. RELATIVE PART)	1.2 --	5	24411-198-900	PLATE, SHIFT DRUM STOPPER	1
CONTACT ASSY.	--	6	24421-200-000	PIN, GEAR SHIFT DRUM	4
NEUTRAL SWITCH	0.2	7	24425-198-900	PLATE, SHIFT DRUM SIDE	1
		8	24430-KST-900	ARM COMP., SHIFT DRUM STOPPER	1
		9	24435-GB4-770	SPRING, GEARSHIFT DRUM STOPPER	1
		10	24610-KST-940	SPINDLE COMP., GEAR SHIFT	1
		11	24639-035-000L	COLLAR 12.2 MM	1
		12	24641-041-000	SPRING ,GEAR SHIFT ARM	1
		13	24651-035-000L	SPRING GEARSHIFT REU	1
		14	24652-035-000	PIN, SHIFT RETURN SPRING	1
		15	35750-001-000	CONTACT ASSY., NEUTRAL SWITCH	1
		16	35753-035-010	ROTOR, NEUTRAL SWITCH	1
		17	35755-001-000	PLATE, CONTACT FIXING	1
		18	90022-GFP-900	BOLT WASHER 6×16	1
		19	90417-041-000	WASHER, GEAR SHIFT DRUM SIDE	1
		20	90801-035-000	PLUG, RUBBER, 19MM	1

E-12
GEAR SHIFT



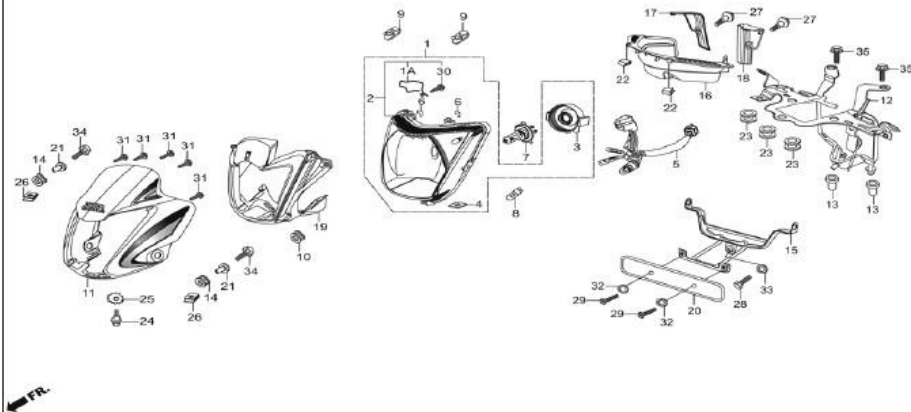
Service Item	F.R.T.	BOM Of Group Number: E-12 Model :: Splendor NXG (Sep, 2008)			
		Ref No.	Part Number	Description	Req.
FORK GEAR SHIFT	3.8	21	91208-KB4-670	OIL SEAL, 11.6 X 24 X 10	1
(ONE OR ALL)	--	22	91312-107-000	O'-RING, 7 X 1.7	1
DRUM GEAR SHIFT	--	23	92000-06016-0A	BOLT, HEX., 6 X 16	1
PLATE SHIFT DRUM STOPPER	--	24	96001-06012-00	BOLT, FLANGE, SH., 6 X 12	1
ARM COMP. SHIFT DRUM STOPPER	--	25	96220-30085	ROLLER, 3 X 8.5	2
(INC. RELATIVE PART)	--				
SPINDEL COMP., GEAR SHIFT	1.2				
(INC. RELATIVE PART)	--				
CONTACT ASSY.	--				
NEUTRAL SWITCH	0.2				

E-13
CARBURETTOR



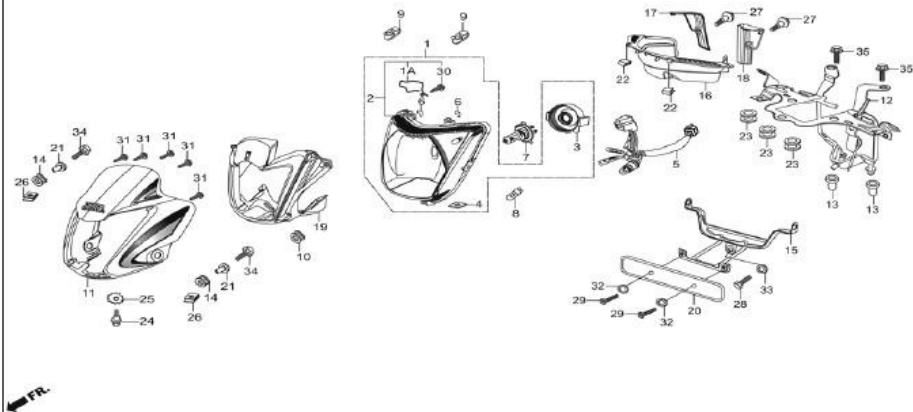
Service Item	F.R.T.	BOM Of Group Number: E-13 Model :: Splendor NXG (Sep, 2008)			
		Ref No.	Part Number	Description	Req.
NEEDLE SET, JET	0.5	1	16010-KVH-851	GASKET SET	1
CARBURETTOR ASSY.	--	10	16100-KVH-851	CARBURETTOR ASSY.	1
FLOAT SET	0.4	4	16013-KRB-901	FLOAT, SET	1
VALVE COMP. FLOAT JET MAIN	--	3	16012-KST-941	NEEDLE,SET,JET	1
TOP SET	0.2	5	16014-KST-941	TOP SET	1
CHAMBER SET FLOAT	--	6	16015-KVW-921	CHAMBER SET, FLOAT	1
VALVE SET, THROTTLE	0.3	8	16022-KST-941A	VALVE SET, THROTTLE	1
		7	16016-KST-901	SCREW SET, A	1
		9	16028-KST-941	SCREW SET, B	1
		11	16118-KST-901	CAP,CABLE SEALING	1
		12	16148-KPL-901	CAP, DUST	1
		13	16155-KST-901	VALVE, COMP., FLOAT	1
		14	16165-KST-901	HOLDER,NEEDLE JET	1
		15	16198-KST-901	TUBE, AIR VENT	1
		16	16199-KST-901	TUBE,OVER FLOW	1
		17	93892-04014-08	SCREW, WASH, 4 X 14	2
		18	95002-02659	CLIP, B-1, 6.5 TUBE	2
		19	99101-KST-1000	JET, MAIN#100	1
		20	99103-KST-0380	JET COMP., #38X#38	1

F-1
HEAD LIGHT



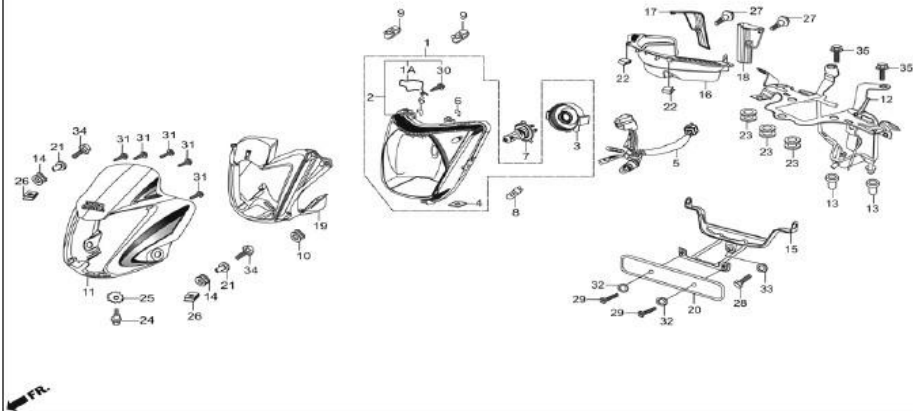
Service Item	F.R.T.	BOM Of Group Number: F-1 Model :: Splendor NXG (Sep, 2008)			
		Ref No.	Part Number	Description	Req.
HEADLIGHT ASSY.	0.1	1	3310A-KVH-901	LIGHT ASSY., HEAD	1
RIM COMP., HEADLIGHT	--	1A	33108-KRY-900	SPRING, SPC(BULB HOLDER)	1
UNIT HEADLIGHT (INC RELATIVE PART)	--	2	33110-KVH-900	UNIT, HEADLIGHT	1
BULB, HEADLIGHT	--	3	33112-KVH-900	COVER, RUBBER	1
SOCKET COMP., HEADLIGHT	0.2	4	33128-KVH-900	NUT, SPECIAL	1
PLATE FR., NUMBER	--	5	33150-KVH-900	SOCKET ASSY., HEAD LIGHT	1
BASE, FR., NUMBER PLATE	--	6	33706-KVH-900	TUBE	2
		7	34901-KSP-910	BULB, HEAD LIGHT	1
		8	34908-GA7-700	BULB, WEDGE BASE (12V - 3W)	1
		9	53209-GAH-000	CLIP, HEADLIGHT	2
		10	61105-KTC-900	RUBBER, FRONT FENDER MOUNTING	1
		11	61300-KVH-950ZA	SET, FR. COWL (BLACK-1)	1
			61300-KVH-950ZB	SET, FR. COWL (BLACK-2)	1
			61300-KVH-950ZC	SET, FR. COWL (BLACK-3)	1
			61300-KVH-950ZE	SET, FR. COWL (FORCE SILVER ME.)	1
			61300-KVH-950ZF	SET, FR. COWL (VIBRANT BLUE ME.)	1
			61300-KVH-950ZG	SET, FR. COWL (CANDY BLAZING RED)	1
		12	61311-KVH-900	STAY COMP., FR. COWL	1
		13	61312-149-300	BOOT, HEADLIGHT BRACKET	2
		14	61312-KVH-900	GROMMET FR. COWL SET	2

F-1
HEAD LIGHT



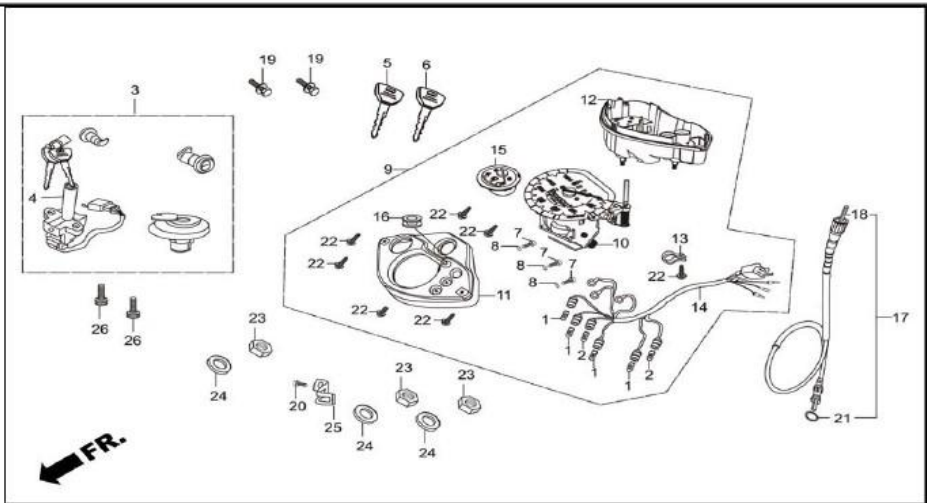
Service Item	F.R.T.	BOM Of Group Number: F-1 Model :: Splendor NXG (Sep, 2008)			
		Ref No.	Part Number	Description	Req.
HEADLIGHT ASSY.	0.1	15	61315-KVH-900	STAY FRONT COWL LOWER	1
RIM COMP., HEADLIGHT	--	16	63403-KVH-900	PANEL CTR. INNER	1
UNIT HEADLIGHT (INC RELATIVE PART)	--	17	63404-KVH-900	PANEL R. INNER	1
BULB, HEADLIGHT	--	18	63414-KVH-900	PANEL L. INNER	1
SOCKET COMP., HEADLIGHT	0.2	19	63421-KVH-950ZA	COWL FRONT INNER (BLACK)	1
PLATE FR., NUMBER	--		63421-KVH-950ZE	COWL FRONT INNER (FORCE SILVER ME.)	1
BASE, FR., NUMBER PLATE	--		63421-KVH-950ZF	COWL FRONT INNER (VIBRANT BLUE ME.)	1
			63421-KVH-950ZG	COWL FRONT INNER (CANDY BLAZING RED)	1
		20	64310-198-D20A	PLATE, FRONT NUMBER	1
		21	77201-KVH-900	COLLAR SEAT MTG.	2
		22	77247-KCC-770	RUBBER, STOPPER	2
		23	80101-443-000	RUBBER, RR. FENDER CUSHION	3
		24	90103-KVH-900	BOLT, ADJUST	1
		25	90307-GJ6-000	WASHER, LOCK, 6 MM	1
		26	90311-KVH-900	NUT CLIP 6 MM	2
		27	91509-GE2-760	SCREW, WASHER, 5 X 11.5	2
		28	92000-06025-0A	BOLT, HEX., 6 X 25	1
		29	93500-05010-1A	SCREW, PAN, 5X10	2
		30	93901-04012-00	SCREW, TAPPING SPL., 4 X 12	1
		31	93903-34380	SCREW, TAPPING, 4X12	5

F-1
HEAD LIGHT



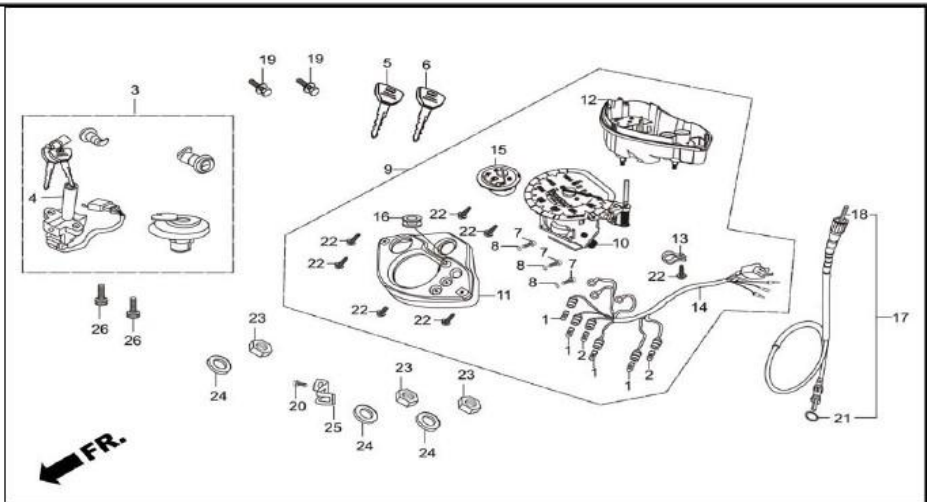
Service Item	F.R.T.	BOM Of Group Number: F-1 Model :: Splendor NXG (Sep, 2008)			
		Ref No.	Part Number	Description	Req.
HEADLIGHT ASSY.	0.1				
RIM COMP., HEADLIGHT	--	32	94101-05000	WASHER , PLAIN, 5MM	2
UNIT HEADLIGHT (INC RELATIVE PART)	--	33	94103-06000	WASHER PLAIN,6MM	1
BULB, HEADLIGHT	--	34	95701-06025-00	BOLT, FLANGE, 6X 25	2
SOCKET COMP., HEADLIGHT	0.2	35	96001-06016-07	BOLT, FLANGE, SH. 6 X 16	2
PLATE FR., NUMBER	--				
BASE, FR., NUMBER PLATE	--				

F-2
SPEEDOMETER/ CABLE/ KEY SET



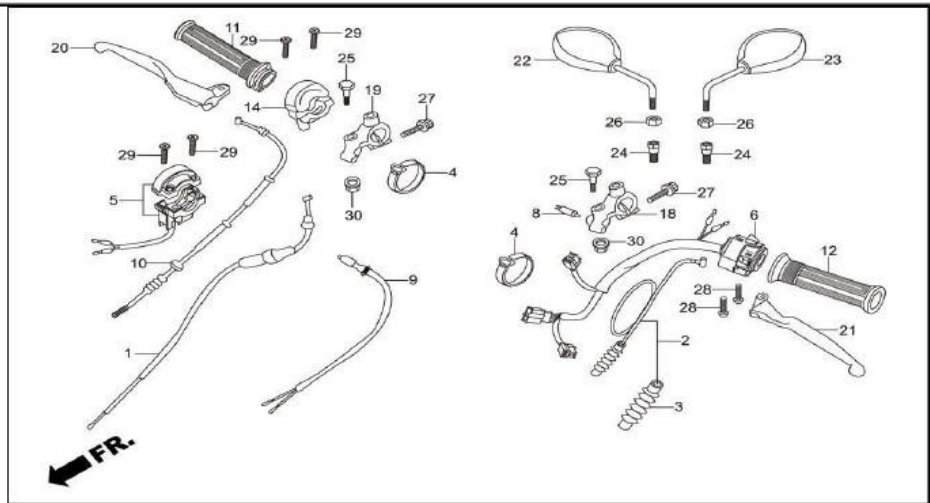
Service Item	F.R.T.	BOM Of Group Number: F-2 Model :: Splendor NXG (Sep, 2008)			
		Ref No.	Part Number	Description	Req.
KEY SET	1.1	1	34908-KVE-900	BULB, WEDGE BASE T10 (12V - 1.7 W)	4
SWITCH ASSY., COMB, & LOCK	0.4	2	34909-KVE-900	BULB, WEDGE BASE (12V - 3 W)	2
SPEEDOMETER ASSY.	0.3	3	35010-KVH-850	KEY SET	1
SPEEDOMETER COMP.	0.5	4	35100-KVH-850	SWITCH ASSY., COMB & LOCK	1
CASE UPPER ASSY.	--	5	35121-KVH-850	KEY BLANK TYPE-1	1
CASE UNDER ASSY.	--	6	35122-KVH-850	KEY BLANK TYPE-2	1
SOCKET COMP.	--	7	35305-KE5-001	SCREW PAN 3 X 22	3
CABLE COMP., SPEEDOMETER	--	8	35305-KE5-002	SPRING WASHER 3 MM	3
CABLE COMP., INNER	0.1	9	37100-KVH-870	METER ASSY. COMB	1
		10	37200-KVH-870	SPEEDOMETER COMP	1
		11	37211-KVH-901	CASE UPPER ASSY.	1
		12	37212-KVH-901	CASE UNDER ASSY.	1
		13	37215-MB6-830	CLAMP	1
		14	37223-KVH-901	SOCKET COMP.	1
		15	37300-KVH-870	FUEL METER COMP.	1
		16	37312-KTE-910	GROMMET, COMB SW.	1
		17	44830-KVH-900	CABLE COMP. SPEEDOMETER	1
		18	44831-KVH-900	CABLE, INNER	1
		19	90107-GZ4-670	BOLT, BREAK OFF	2
		20	90109-MZ5-008	SCREW, TAPPING, 4 X 14	1

F-2
SPEEDOMETER/ CABLE/ KEY SET



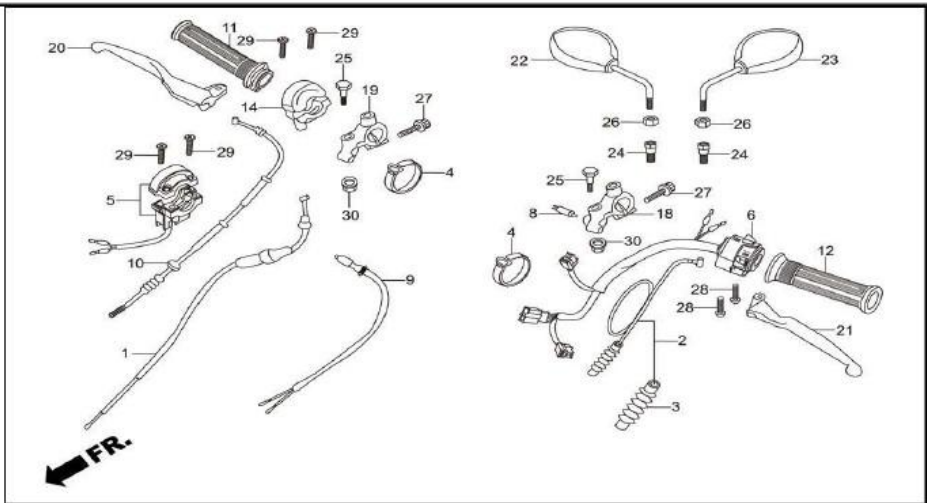
Service Item	F.R.T.	BOM Of Group Number: F-2 Model :: Splendor NXG (Sep, 2008)			
		Ref No.	Part Number	Description	Req.
KEY SET	1.1	21	91352-GAZ-930	O-RING 8.5X11.5	1
SWITCH ASSY., COMB, & LOCK	0.4	22	93903-22420	SCREW,TAPPING,3 X 16	7
SPEEDOMETER ASSY.	0.3	23	94001-06070-0S	NUT, HEX., 6 MM	3
SPEEDOMETER COMP.	0.5	24	94103-06700	WASHER, PLAIN, 6 MM	3
CASE UPPER ASSY.	--	25	94591-45000	CLIP 4 X 50	1
CASE UNDER ASSY.	--	26	96700-08020-00	BOLT SOCKET, 8 MM	2
SOCKET COMP.	--				
CABLE COMP., SPEEDOMETER	--				
CABLE COMP., INNER	0.1				

F-3-SELF-CAST
HANDLE LEVER/ SWITCH/ CONTROL CABLE



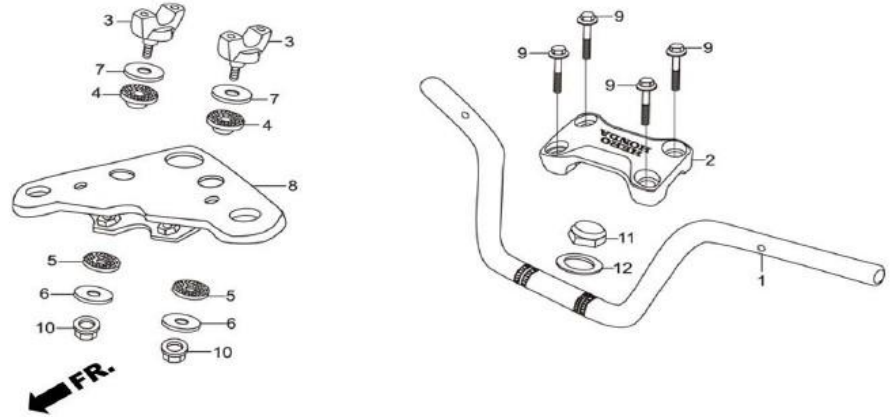
Service Item	F.R.T.	BOM Of Group Number: F-3-SELF-CAST Model :: Splendor NXG (Sep, 2008)			
		Ref No.	Part Number	Description	Req.
CABLE COMP., THROTTLE	0.3	1	17910-KVH-850	CABLE COMP., THROTTLE	1
CABLE COMP., CLUTCH	0.2	2	22870-KVH-900A	CABLE COMP., CLUTCH	1
SWITCH ASSY. WINKER	0.5	3	22871-116-670	BOOT, CLUTCH CABLE	1
SWITCH ASSY. FR. STOP	--	4	32161-404-000	BAND B-1,WIRE	2
CABLE COMP., FR. BRAKE	--	5	35150-KTC-920	SW. ASSY., START	1
GRIP COMP., 'R' HANDLE	0.6	6	35200-KVH-870	SWITCH ASSY. WINKER	1
GRIP 'L' HANDLE	0.6	8	35330-413-000	SW. COMP., FR. LEVER	1
HOUSING UPPER THROTTLE	--	9	35340-KST-950	SWITCH ASSY., FR. STOP	1
HOUSING UNDER THROTTLE	--	10	45450-KST-920	CABLE COMP., FR. BRAKE	1
BRACKET 'R' HANDLE LEVER	--	11	53140-KST-940	GRIP COMP., THROTTLE	1
BRACKET 'L' HANDLE LEVER	--	12	53166-KTC-900	GRIP 'L' HANDLE	1
COVER 'R' HANDLE LEVER	--	14	53168-166-000	HOUSING UPPER, THROTTLE	1
COVER 'L' HANDLE LEVER	--	18	53172-KTC-920	BRACKET, `L' HANDLE LEVER	1
		19	53173-KTC-920	BRKT., `R' HANDLE LEVER	1
		20	53175-KVH-850	LEVER COMP., 'R' STEERING HANDLE	1
		21	53178-KVH-850	LEVER COMP., 'L' STEERING HANDLE	2
		22	88110-KST-900	MIRROR ASSY.,'R' BACK	1
		23	88120-KST-900	MIRROR ASSY.,'L' BACK	1
		24	90003-KST-900	BOLT ADPT,10MM	2
		25	90114-310-000	BOLT, HANDLE LEVER PIVOT	2

F-3-SELF-CAST
HANDLE LEVER/ SWITCH/ CONTROL CABLE



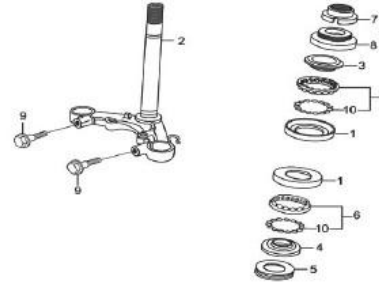
Service Item	F.R.T.	BOM Of Group Number: F-3-SELF-CAST Model :: Splendor NXG (Sep, 2008)			
		Ref No.	Part Number	Description	Req.
CABLE COMP., THROTTLE	0.3	26	90201-KST-900	NUT HEX., 10MM	2
CABLE COMP., CLUTCH	0.2	27	92101-06025-0G	BOLT, HEX 6 X 25	2
SWITCH ASSY. WINKER	0.5	28	93500-05020-0G	SCREW, PAN, 5 X 20	2
SWITCH ASSY. FR. STOP	--	29	93500-05022-1G	SCREW, PAN, 5 X 22	2
CABLE COMP., FR. BRAKE	--	30	94050-06000	NUT, FLANGE, 6 MM	2
GRIP COMP., 'R' HANDLE	0.6				
GRIP 'L' HANDLE	0.6				
HOUSING UPPER THROTTLE	--				
HOUSING UNDER THROTTLE	--				
BRACKET 'R' HANDLE LEVER	--				
BRACKET 'L' HANDLE LEVER	--				
COVER 'R' HANDLE LEVER	--				
COVER 'L' HANDLE LEVER	--				

F-4
HANDLE PIPE/ TOP BRIDGE



Service Item	F.R.T.	BOM Of Group Number: F-4 Model :: Splendor NXG (Sep, 2008)			
		Ref No.	Part Number	Description	Req.
PIPE, STEERING HANDLE	0.5	1	53100-KVH-870	PIPE, STEERING HANDLE	1
BRIDGE COMP., FORK TOP	--	2	53131-KVH-850	HOLDER, HANDLE UPPER	1
HOLDER, HANDLE PIPE UNDER	0.2	3	53132-124-000	HOLDER, HANDLE PIPE UNDER	2
(ADD 0.1 FOR EACH)	--	4	53133-198-900	RUBBER, HANDLE CUSHION UPPER	2
		5	53134-028-000	RUBBER, HANDLE CUSHION UNDER	2
		6	53135-198-900	WASHER, HANDLE CUSHION	2
		7	53136-198-900	PLATE, HANDLE CUSHION	2
		8	53230-KST-950	BRIDGE COMP., FORK TOP	1
		9	90023-KL8-730	BOLT SPECIAL 6X28	4
		10	90304-KTE-911	NUT FLG.PT 10MM	2
			90304-KST-942	NUT FLG.PT 10MM	2
		11	90304-KSP-900	NUT, STEERING STEM	1
		12	90503-KTR-900	WASHER, STEERING STEM	1

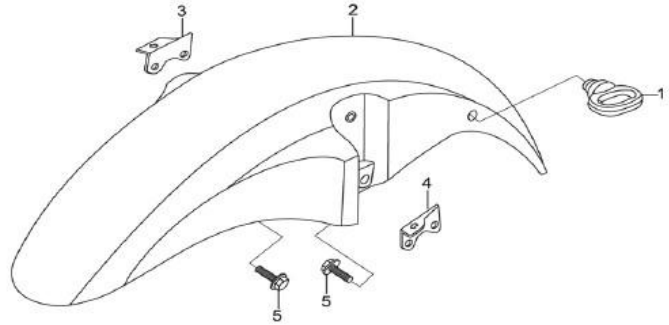
F-5
STEERING STEM



FR.

Service Item	F.R.T.	BOM Of Group Number: F-5 Model :: Splendor NXG (Sep, 2008)			
		Ref No.	Part Number	Description	Req.
RACE, STEERING BALL (ONE OR ALL)	0.8 --	1	50301-KTR-900	RACE, STEERING BALL	2
STEM COMP., STEERING	0.9	2	53200-KST-950	STEM, COMP., STEERING	1
RACE, STEERING TOP CONE	0.5	3	53211-268-010	RACE, STEERING TOP CONE	1
THREAD, STEERING HEAD TOP	--	4	53212-200-000	RACE, STEERING BOTTOM CONE	1
PLATE FR., NUMBER	--	5	53214-200-000	DUST SEAL, STEERING HEAD	1
BASE, FR. NUMBER PLATE	--	6	53215-KTR-900	BALL, ASSY. STEERING	2
		7	53221-KTR-900	THREAD, STEERING HEAD TOP	1
		8	53222-KTR-900	MUD GUARD, STEERING HEAD TOP	1
		9	95701-08040-00	BOLT, FLANGE, 8 X 40	2
		10	96211-08000	BALL STEEL 8 MM	16

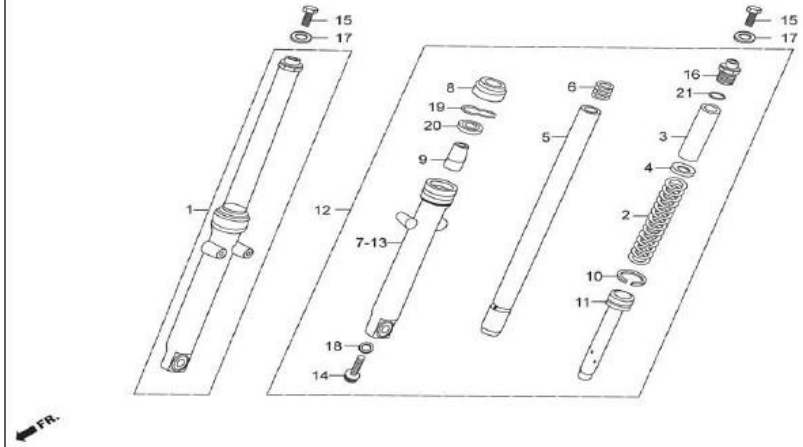
F-6
FRONT FENDER



FR.

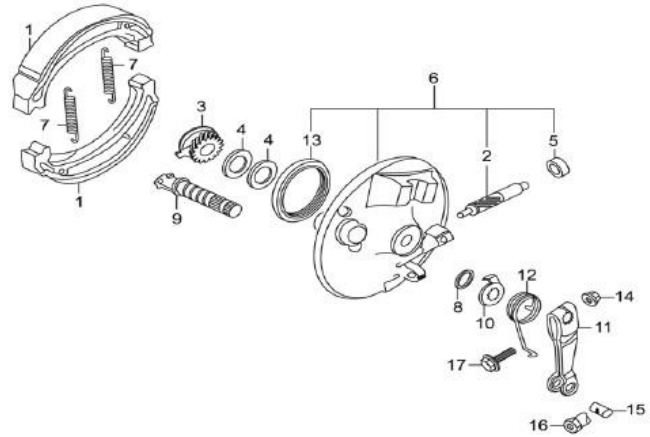
Service Item	F.R.T.	BOM Of Group Number: F-6 Model :: Splendor NXG (Sep, 2008)			
Ref No.	Part Number	Description	Req.		
FENDER COMP., FRONT (HCR)	0.2				
1	45451-KCC-900	GUIDE, FR. FENDER CABLE	1		
2	61100-KST-940ZD	FENDER COMP., FRONT (CANDY BLAZING RED)	1		
	61100-KST-940ZA	FENDER COMP., FRONT (BLACK)	1		
	61100-KVH-900ZE	FENDER COMP. FR (FSM)	1		
	61100-KVH-900ZF	FENDER COMP. FR (VIB)	1		
3	61103-KST-940	COLLER, FR. FENDER R	1		
4	61104-KST-940	COLLER, FR. FENDER L	1		
5	95701-06020-08	BOLT, FLANGE, 6 X 20	4		

F-7
FRONT FORK



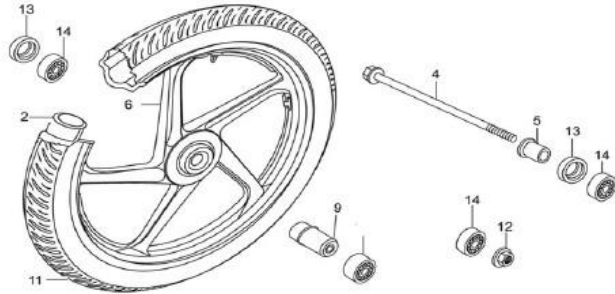
Service Item	F.R.T.	BOM Of Group Number: F-7 Model :: Splendor NXG (Sep, 2008)			
		Ref No.	Part Number	Description	Req.
FORK ASSY., R/L FR (ADD 0.2 FOR EACH)	0.5 --	1	51400-KST-941	FORK ASSY., 'R' FRONT	1
SPRING, FR. CUSHION (ADD 0.2 FOR EACH)	--	2	51401-KST-941	SPRING, FR. CUSHION	2
PIPE COMP., FR. FORK (ADD 0.5 FOR EACH)	0.8 --	4	51403-447-730	JOINT, SPRING	2
CASE R/L FR. BOTTOM (ADD 0.5 FOR EACH)	--	5	51410-KTC-901	PIPE COMP., FR. FORK	2
		6	51412-KAG-900	SPRING, REBOUND	2
		7	51420-KTC-901	CASE, 'R' FR. BOTTOM (NH-35M)	1
		8	51425-KST-901	SEAL, DUST	2
		9	51432-KST-901	PIECE, OIL LOCK	2
		10	51437-KTC-901	RING, PISTON	2
		11	51440-KTR-901	PIPE, SEAT	2
		12	51500-KST-941	FORK ASSY., 'L' FRONT	1
		13	51520-KTC-901	CASE, 'L' FR. BOTTOM (NH-35M)	1
		14	90116-KAG-900	BOLT, SOCKET, 8 MM	2
		15	90123-KRM-860	BOLT, FR. FORK	2
		16	90123-KST-941	BOLT, 'A' FR. FORK	2
		17	90521-292-000	WASHER, PLAIN, 10.3 MM	2
		18	90544-439-930	WASHER, SPECIAL, 8 MM	2
		19	90601-GF5-730	RING, OIL SEAL STOPPER	2
		20	91255-169-000R	OIL SEAL, 30 X 42 X 11	2
		21	91356-KAG-900	O - RING	2

F-8-CAST
FR. BRAKE PANEL



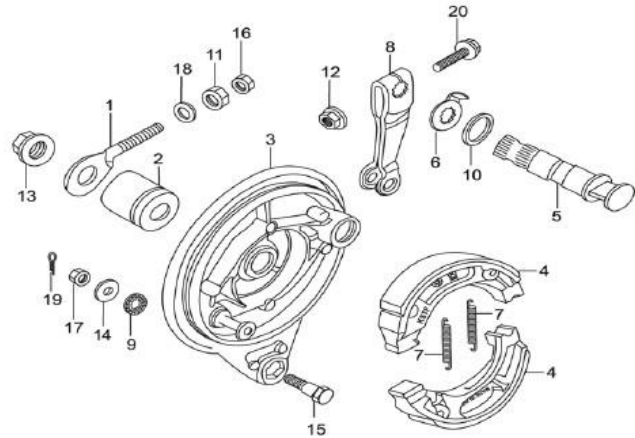
Service Item	F.R.T.	BOM Of Group Number: F-8-CAST Model :: Splendor NXG (Sep, 2008)			
		Ref No.	Part Number	Description	Req.
GEAR, SPEEDOMETER	0.3	1	43125-KTN-701	SHOE COMP., BRAKE	2
PINION, SPEEDOMETER	0.6	1	43125-KRP-981	SHOE COMP., BRAKE	2
PANEL SUB. COMP., FR BRAKE (INC RELATIVE PART)	0.4	2	44805-KTC-900	PINION, SPEEDOMETER	1
SHOE COMP., BRAKE	--	3	44806-KST-900	GEAR, SPEEDOMETER	1
(ONE OR ALL)	--	4	44809-170-000	WASHER, SPEEDOMETER GEAR	2
ARM. FR. BRAKE	0.1	5	44810-KTC-900	BUSH, PINION	1
(INC RELATIVE PART)	--	6	45010-KTR-700	PANEL SUB. COMP., FR. BRAKE (MGM)	1
		7	45133-KCC-900	SPRING, FR. BRAKE SHOE	2
		8	45134-250-000	DUST SEAL, BRAKE CAM	1
		9	45141-KTC-900	CAM FR. BRAKE	1
		10	45145-096-650	INDICATOR, FR. BRAKE	1
		11	45410-KCC-900	ARM, FR. BRAKE	1
		12	45435-GB2-720	SPRING, BRAKE ARM RETURN	1
		13	91251-GK4-000	OIL SEAL, 47X60X7	1
		14	94050-06000	NUT, FLANGE, 6 MM	1
		15	95015-32001	JOINT 'B' BRAKE ARM	1
		16	95015-42000	NUT `B' BRAKE ROD ADJUSTING	1
		17	95701-06032-00	BOLT, FLANGE, 6 X 32	1

F-9-CAST
FRONT WHEEL



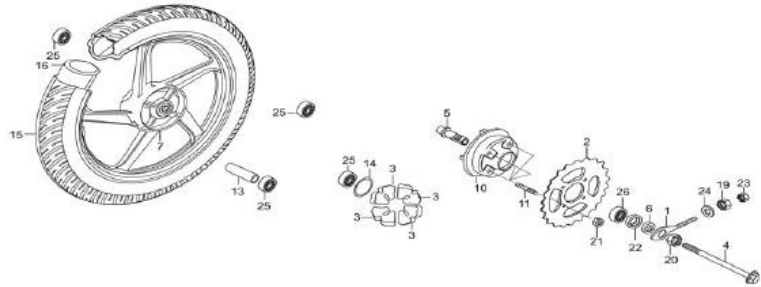
Service Item	F.R.T.	BOM Of Group Number: F-9-CAST Model :: Splendor NXG (Sep, 2008)			
		Ref No.	Part Number	Description	Req.
TUBE, TYRE	0.9	2	42712-KCS-920	TUBE, TYRE (2.75 X 18)	1
TYRE, FR. (2.75 X 18-4 PR)	--	4	44301-KTR-700	AXLE, FR. WHEEL	1
AXLE FR. WHEEL	0.2	5	44311-KRC-900	COLLAR, FR. WHEEL SIDE	1
HUB FR. WHEEL	2.5	6	44601-KVH-920Z	WHEEL COMP. FRONT	1
COLLAR, FR., AXLE DISTANCE	0.4	9	44620-400-000	COLLAR, FRONT DISTANCE	1
BEARING BALL RADIAL, 6301U	--	11	44711-KFN-850	TYRE, FRONT	1
(ADD 0.1 FOR EACH)	--	12	90306-KTE-911	NUT, CASTLE, 12 MM	1
RIM, FR. WHEEL	2.2	12	90306-KST-942	NUT, CASTLE, 12 MM	1
OIL SEAL, 21 X 37 X 7	0.3	13	91251-KPH-901	OIL SEAL, 21 X 37 X 7	1
		14	96140-63010-10	BEARING, RADIAL BALL, 6301U	2

F-10-CAST
REAR BRAKE PANEL



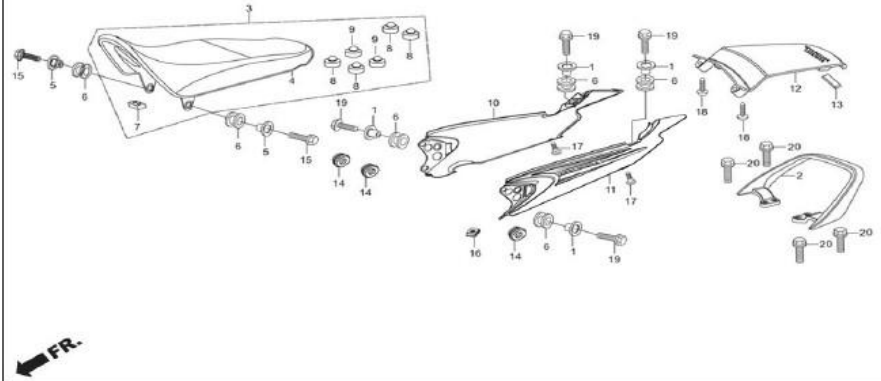
Service Item	F.R.T.	BOM Of Group Number: F-10-CAST Model :: Splendor NXG (Sep, 2008)			
		Ref No.	Part Number	Description	Req.
PANEL COMP., RR. BRAKE	0.5	1	40543-198-900	ADJUSTER, ' R' CHAIN	1
SHOE COMP., BRAKE (ONE OR ALL)	0.4	2	42313-198-900	COLLAR, RR. BRAKE PANEL SIDE	1
ARM. RR. BRAKE (INC RELATIVE PART)	0.1	3	43100-153-600Z	PANEL COMP., RR. BRAKE	1
	--	4	43125-KST-940	SHOE COMP. BRAKE	2
		5	43141-KST-920	CAM , RR. BRAKE	1
		6	43145-GC5-000	INDICATOR, RR. BRAKE	1
		7	43151-110-000	SPRING, BRAKE SHOE	2
		8	43410-KST-940	ARM RR. BRAKE	1
		9	43434-286-000	RUBBER, STOPPER ARM CUSHION	1
		10	45134-250-000	DUST SEAL, BRAKE CAM	1
		11	90302-KBP-900	NUT SPL 6 MM	1
		12	90302-KST-942	NUT FLANGE, PT. 6 MM	1
		13	90306-KTE-911	NUT, CASTLE, 12 MM	1
		13	90306-KST-942	NUT, CASTLE, 12 MM	1
		14	90505-425-000	WASHER, 8 MM	1
		15	92811-10000	BOLT ` A' BRAKE STOPPER	1
		16	94001-06000-0S	NUT, HEX., 6 MM	1
		17	94001-08000-0S	NUT, HEX., 8 MM	1
		18	94101-06000	WASHER, PLAIN, 6 MM	1
		19	94201-20150	PIN, SPLIT, 2.0 X 15	1
		20	95701-06035-00	BOLT, FLANGE, 6X35	1

F-11-CAST
REAR WHEEL



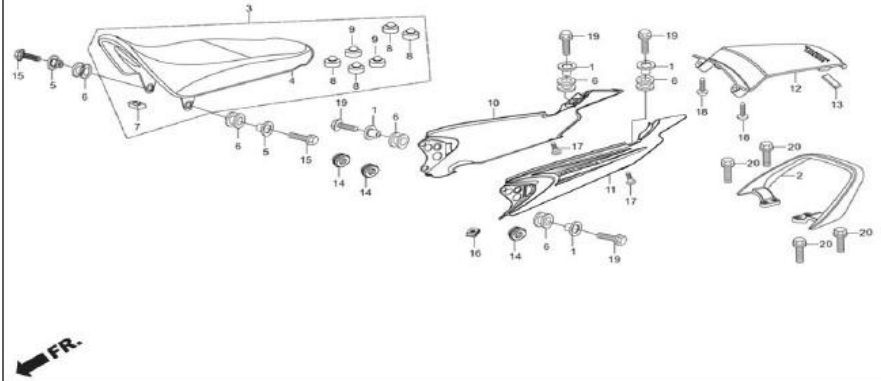
Service Item	F.R.T.	BOM Of Group Number: F-11-CAST Model :: Splendor NXG (Sep, 2008)			
		Ref No.	Part Number	Description	Req.
AXLE RR. WHEEL	0.2	1	40544-198-900	ADJUSTER, 'L' CHAIN	1
SPROCKET, FINAL DRIVEN	0.7	2	41201-KST-940	SPROCKET, FINAL DRIVEN (44T)	1
DAMPER, RR. WHEEL (ONE OR ALL)	0.4 --	3	41241-KST-941	DAMPER, RR. WHEEL	4
COLLAR, RR. AXLE DISTANCE	--	4	42301-KST-940	AXLE, RR. WHEEL	1
BEARING RADIAL BALL, 6301 (ADD 0.1 FOR EACH)	-- --	5	42303-KST-940	SLEEVE RR. WHEEL	1
SLEEVE, RR. WHEEL	0.5	6	42304-198-900	COLLAR, RR.AXLE SLEEVE	1
HUB RR. WHEEL	2.5	7	42601-KVH-920Z	WHEEL COMP., REAR	1
FLANGE, FINAL DRIVEN	0.8	10	42611-KST-940	FLANGE, FINAL DRIVEN	1
TYRE, RR(2.75-18-6PR)	0.9	11	42615-198-900	BOLT, STUD., 8 X 42	4
RIM, WHEEL (1.60 X 18)	2.3	13	42620-GB6-920	COLLAR, RR AXLE DISTANCE	1
BEARING, RADIAL BALL, 6203	0.6	14	42653-001-000	O-RING 40.5 X 3	1
		15	42711-KST-952	TYRE, RR. (2.75 X 18 - 48 P)	1
		16	42712-KCS-920	TUBE, TYRE (2.75 X 18)	1
		19	90302-KBP-900	NUT SPL 6 MM	1
		20	90307-001-000	NUT ,RR. AXLE SLEEVE	1
		21	90309-357-000	NUT, HEX ,8MM	4
		22	90753-029-000	OIL SEAL, 27 X 40 X 6	1
		23	94001-06000-0S	NUT, HEX., 6 MM	1
		24	94101-06000	WASHER, PLAIN, 6 MM	1
		25	96140-63010-10	BEARING, RADIAL BALL, 6301U	2
		26	96150-62030-10	BEARING, BALL RADIAL, 6203 (UU)	1

F-12
SEAT ASSY./ GRIP REAR



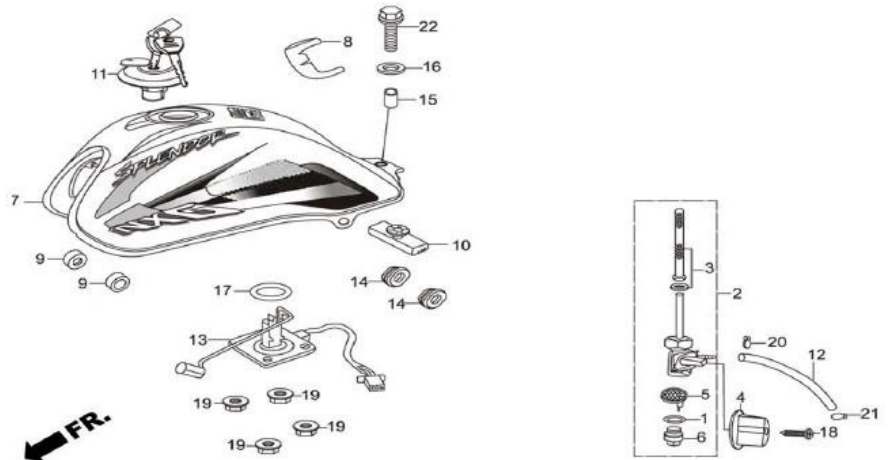
Service Item	F.R.T.	BOM Of Group Number: F-12 Model :: Splendor NXG (Sep, 2008)			
		Ref No.	Part Number	Description	Req.
SET, ASSY., DOUBLE	0.1	1	17509-398-960	COLLAR, TANK SET	4
SET CENTER RR. COWL	--	2	50400-KVH-901Z	GRIP REAR (BLK)	1
SET RIGHT SIDE COWL	--	3	77200-KVH-900	SEAT COMP., DOUBLE	1
SET LEFT SIDE COWL	--	4	7720B-KVH-900	COVER SEAT ASSY	1
GRIP, REAR	--	5	77201-KVH-900	COLLAR SEAT MTG.	2
		6	77202-KCC-900	RUBBER, SEAT MOUNTING	6
		7	77204-KCC-900	RUBBER, 'A' SEAT SETTING	1
		8	77206-KCC-900	RUBBER, SEAT CUSHION	4
		9	77206-KTR-900	RUBBER, SEAT CUSHION	2
		10	77205-KVH-950ZA	SET, R. RR. COWL (BLACK-1)	1
			77205-KVH-950ZB	SET, R. RR. COWL (BLACK-2)	1
			77205-KVH-950ZC	SET, R. RR. COWL (BLACK-3)	1
			77205-KVH-950ZE	SET, R. RR. COWL (FORCE SILVER ME)	1
			77205-KVH-950ZF	SET, R. RR. COWL (VIBRANT BLUE ME)	1
			77205-KVH-950ZG	SET, R. RR. COWL (CANDY BLAZING RED)	1
		11	77215-KVH-950ZA	SET, L. RR. COWL (BLACK-1)	1
			77215-KVH-950ZB	SET, L. RR. COWL (BLACK-2)	1
			77215-KVH-950ZC	SET, L. RR. COWL (BLACK-3)	1
			77215-KVH-950ZE	SET, L. RR. COWL (FORCE SILVER ME.)	1
			77215-KVH-950ZF	SET, L. RR. COWL (VIBRANT BLUE ME.)	1

F-12
SEAT ASSY./ GRIP REAR



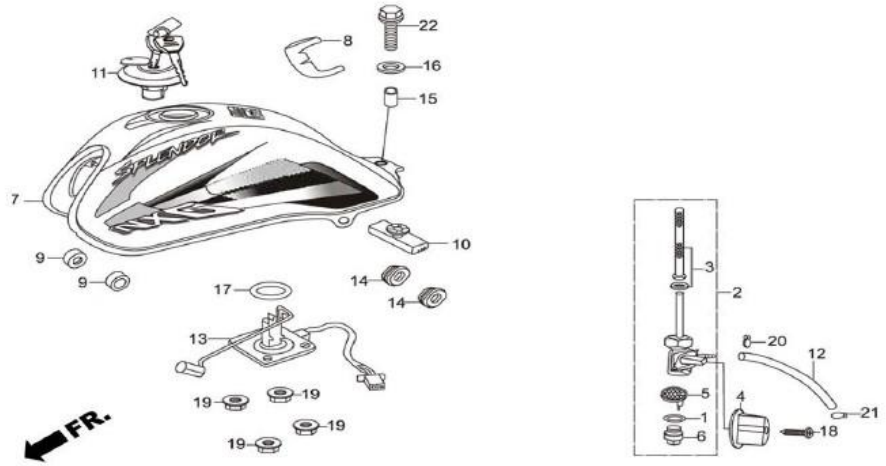
Service Item	F.R.T.	BOM Of Group Number: F-12 Model :: Splendor NXG (Sep, 2008)			
		Ref No.	Part Number	Description	Req.
SET, ASSY., DOUBLE	0.1		77215-KVH-950ZG	SET, L. RR. COWL (CANDY BLAZING RED)	1
SET CENTER RR. COWL	--	12	77230-KVH-900ZA	SET, CENTER RR. COWL (BLACK)	1
SET RIGHT SIDE COWL	--		77230-KVH-900ZD	SET, CENTER RR. COWL (CLASSY MAROON ME)	1
SET LEFT SIDE COWL	--		77230-KVH-900ZE	SET, CENTER RR. COWL (FORCE SILVER ME)	1
GRIP, REAR	--		77230-KVH-900ZF	SET, CENTER RR. COWL (VIBRANT BLUE ME)	1
			77230-KVH-900ZG	SET, CENTER RR. COWL (CANDY BLAZING RED)	1
		13	77236-KVH-900	CUSHION CENTER COWL	1
		14	83551-KVH-900	GROMMET SIDE COVER	3
		15	90038-MT3-000	BOLT, FLANGE, 6 X 32	2
		16	90320-GC3-000	NUT, SPRING, M5	1
		17	91509-GE2-760	SCREW, WASHER, 5 X 11.5	2
		18	93903-35280	SCREW, TAPPING, 5 X 12	2
		19	95701-06022-08	BOLT FLANGE, 6 X 22	4
		20	95701-08022-08	BOLT, FLANGE, 8 X 22	4

F-13
FUEL TANK



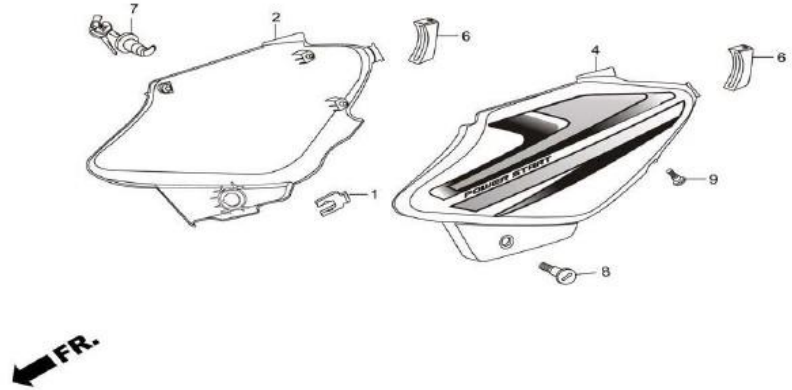
Service Item	F.R.T.	BOM Of Group Number: F-13 Model :: Splendor NXG (Sep, 2008)			
		Ref No.	Part Number	Description	Req.
COCK ASSY., FUEL	0.2	2	16950-KVH-900	COCK ASSY.,FUEL	1
SCREEN, FUEL STRAINER	--	3	16952-KVH-900	SCREEN SET FUEL STRAINER	1
TANK SET, FUEL	0.3	4	16955-KVH-900	LEVER FUEL COCK	1
		5	16959-HB3-000	FILTER, CUP	1
		6	16967-GA6-671	CUP, FUEL STRAINER	1
		7	17505-KVH-850ZA	SET, FUEL TANK (BLACK-1)	1
			17505-KVH-850ZB	SET, FUEL TANK (BLACK-2)	1
			17505-KVH-850ZC	SET, FUEL TANK (BLACK-3)	1
			17505-KVH-850ZE	SET, FUEL TANK (FORCE SILVER ME.)	1
			17505-KVH-850ZF	SET, FUEL TANK (VIBRANT BLUE ME.)	1
			17505-KVH-850ZG	SET, FUEL TANK (CANDY BLAZING RED)	1
		8	17506-KVH-900	TANK FILM PROTECTOR	1
		9	17611-KRM-860	CUSHION, FR. FUEL TANK	2
		10	17613-KCC-900	CUSHION, RR. TANK	1
		11	17620-KST-961	CAP COMP. FUEL FILLER	1
		12	17681-KVH-900	TUBE FUEL	1
		13	37800-KVH-870	UNIT ASSY., FUEL	1
		14	83551-300-000	GROMMET, AIR CLEANER CASE	2
		15	90324-KCC-870	COLLAR, 8 MM	1

F-13
FUEL TANK



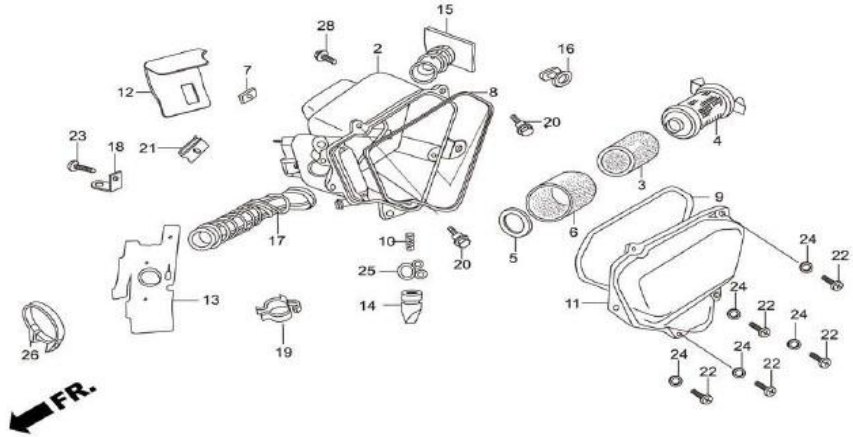
Service Item	F.R.T.	BOM Of Group Number: F-13 Model :: Splendor NXG (Sep, 2008)			
		Ref No.	Part Number	Description	Req.
COCK ASSY., FUEL	0.2	16	90325-KCC-900	WASHER, PLAIN, 8 MM	1
SCREEN, FUEL STRAINER	--	17	91305-443-740	O' RING, 39.5 X 5	1
TANK SET, FUEL	0.3	18	93500-04025-0G	SCREW, PAN, 4X25	1
		19	94050-06000	NUT, FLANGE, 6 MM	4
		20	95002-02100	CLIP, B-10 TUBE	1
		21	95002-70000	CLIP, C11 TUBE	1
		22	95701-08035-08	BOLT, FLANGE, 8 X 35	1

F-14-SELF
SIDE COVER



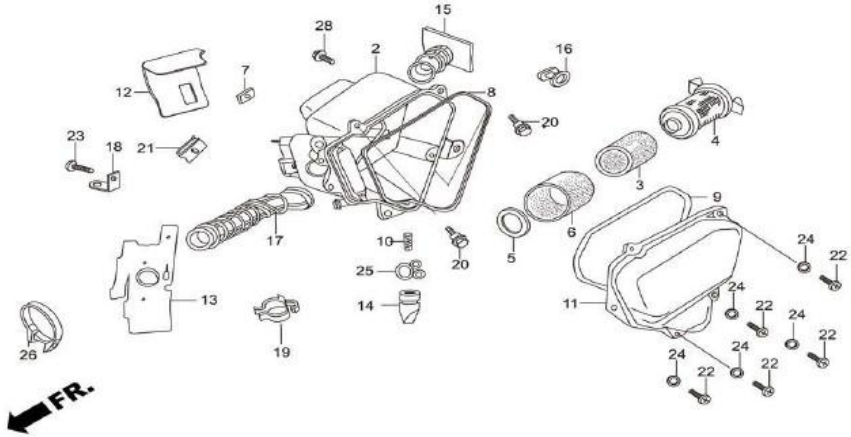
Service Item	F.R.T.	BOM Of Group Number: F-14-SELF Model :: Splendor NXG (Sep, 2008)			
		Ref No.	Part Number	Description	Req.
SET, RIGHT SIDE COVER	0.1	1	75581-673-000	SET SPRING, LOCK KEY	1
SET, LEFT SIDE COVER	0.1	2	83300-KVH-870ZA	SET,R. SIDE COVER (BLACK-1)	1
			83300-KVH-870ZB	SET, R. SIDE COVER (BLACK-2)	1
			83300-KVH-870ZC	SET, R. SIDE COVER (BLACK-3)	1
			83300-KVH-870ZE	SET, R. SIDE COVER (FORCE SILVER ME.)	1
			83300-KVH-870ZF	SET, R. SIDE COVER (VIBRANT BLUE ME.)	1
			83300-KVH-870ZG	SET, R. SIDE COVER (CANDY BLAZING RED)	1
		4	83400-KVH-870ZA	SET, L. SIDE COVER (BLACK-1)	1
			83400-KVH-870ZB	SET, L. SIDE COVER (BLACK-2)	1
			83400-KVH-870ZC	SET, L. SIDE COVER (BLACK-3)	1
			83400-KVH-870ZE	SET, L. SIDE COVER (FORCE SILVER ME.)	1
			83400-KVH-870ZF	SET, L. SIDE COVER (VIBRANT BLUE ME.)	1
			83400-KVH-870ZG	SET, L. SIDE COVER (CANDY BLAZING RED)	1
		6	83512-KVH-900	RUBBER, SIDE COVER HOOK	2
		7	83550-KVH-900	LOCK , SIDE COVER	1
		8	90113-KVH-900	BOLT SIDE, COVER	1
		9	91509-GE2-760	SCREW, WASHER, 5 X 11.5	1

F-15-SELF
AIR CLEANER



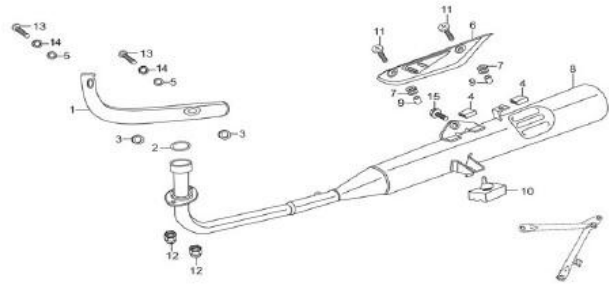
Service Item	F.R.T.	BOM Of Group Number: F-15-SELF Model :: Splendor NXG (Sep, 2008)			
		Ref No.	Part Number	Description	Req.
CASE COMP., AIR CLEANER	0.3	2	17210-KVH-870	CASE COMP., AIR/C	1
ELEMENT 'A' AIR CLEANER	0.2	3	17211-KCC-900L	ELEMENT A, AIR CLEANER	1
HOLDER ELEMENT	--	4	17212-KCC-900	HOLDER ELEMENT	1
ELEMENT 'B' AIR CLEANER	--	4	17212-KCC-900	HOLDER ELEMENT	1
COVER AIR CLEANER CASE	--	5	17212-KCC-902	RUBBER ELEMENT SEAL	1
WATER GUARD FRONT	--	6	17213-KCC-900L	ELEMENT B, AIR CLEANER	1
DUCT AIR CLEANER INLET	--	7	17217-KST-940	SCREW PAN, 5 X 12	1
TUBE AIR CLEANER CONNECTING	--	8	17218-KCC-940	SEAL, AIR CLEANER	1
		9	17219-KCC-940	SEAL,AIR CLEANER CASE	1
		10	17222-KCC-902	FILTER	1
		11	17222-KCC-940	COVER,AIR CLEANER CASE	1
		12	17223-KVH-870	BATTERY GUARD RUBBER	1
		13	17224-KVH-870	WATER GUARD, FRONT	1
		14	17234-KCC-940	TUBE AIR CLEANER DRAIN	1
		15	17251-KCC-940	DUST AIR CLEANER INLET	1
		16	17252-KCC-940	SEAL, AIR/C ELEMENT	1
		17	17253-KST-940	TUBE, AIR CLEANER CONNECTING	1
		18	17361-KVH-870	STAY, BREATHER TUBE	1
		19	32913-MG9-950	WIRE, CLIP	1
		20	90111-187-000	BOLT, FLANGE. 6 MM	2
		21	90311-MT3-000	NUT, CLIP, 6 MM	1

F-15-SELF
AIR CLEANER



Service Item	F.R.T.	BOM Of Group Number: F-15-SELF Model :: Splendor NXG (Sep, 2008)			
		Ref No.	Part Number	Description	Req.
CASE COMP., AIR CLEANER	0.3	22	93500-05012-0A	SCREW PAN, 5 X 12	5
ELEMENT 'A' AIR CLEANER	0.2	23	93903-25120	SCREW, TAPPING, 5 X 10	1
HOLDER ELEMENT	--	24	94101-05000	WASHER, PLAIN, 5MM	5
COVER AIR CLEANER CASE	--	25	95002-02130	CLIP B 12.5 TUBE	1
WATER GUARD FRONT	--	26	95018-46250	BAND 46, AIR/C CONN. TUBE	1
DUCT AIR CLEANER INLET	--	28	95701-06016-08	BOLT, FLANGE 6 X 16	1
TUBE AIR CLEANER CONNECTING	--				

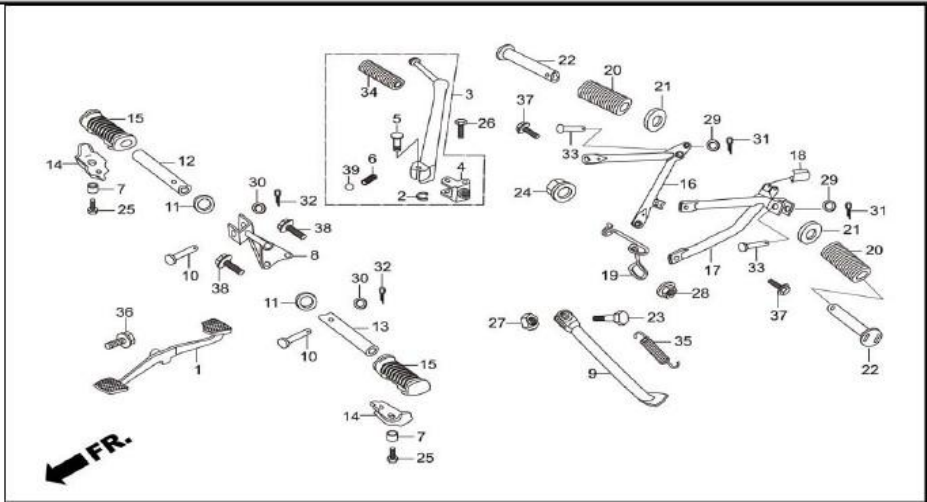
F-16
MUFFLER



FR.

Service Item	F.R.T.	BOM Of Group Number: F-16 Model :: Splendor NXG (Sep, 2008)			
		Ref No.	Part Number	Description	Req.
COVER, EXH. PIPE	0.1	1	18241-KCC-900	COVER, EXH. PIPE	1
GASKET, EXH. PIPE	--	2	18291-KTC-900	GASKET, EXHAUST PIPE	1
MUFFLER COMP., EXH.	0.3	3	18292-KTC-900	PKG., MUFFLER PROTECTOR	2
		4	18293-KPK-900	RUBBER, PKG. PROTECTOR	2
		5	18300-198-770A	WASHER, PLAIN SPECIAL, 5 MM	2
		6	18317-KVH-900	COVER , MUFFLER	1
		7	18345-MBT-610	RUBBER, PROTECTOR, MOUNT	2
		8	18350-KVH-900	MUFFLER COMP., EXH	1
		9	33619-459-840	COLLAR, WINKER STAY	2
		10	50505-KCC-900	STOPPER RUBBER, 'A' STAND	1
		11	90107-KST-940	SCREW MUFF. PROTECTOR MOUNT	2
		12	90304-438-000	NUT, HEX. CAP, 6 MM	2
		13	93500-05010-1A	SCREW, PAN, 5X10	2
		14	94111-05000	WASHER, SPRING, 5 MM	2
		15	95701-08016-00	BOLT, FLANGE, 8X16	1

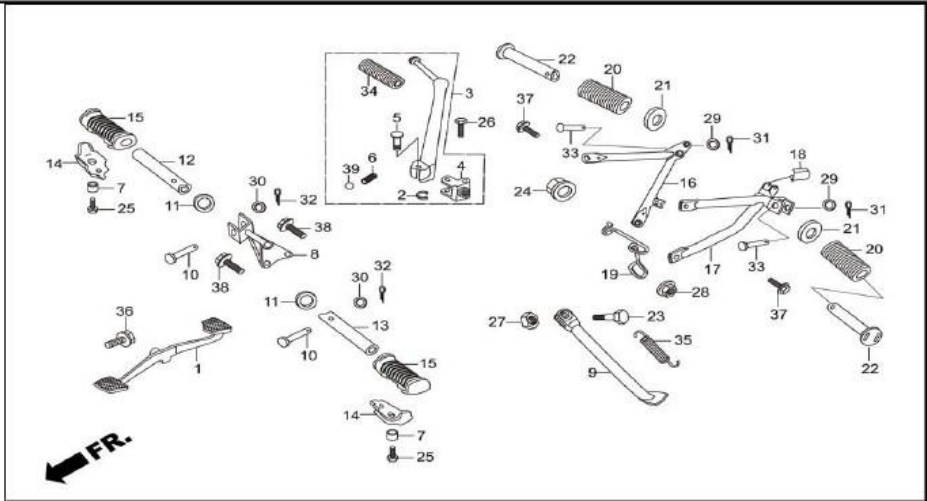
F-17
STEP ASSY./ KICK STARTER/ GEAR CHANGE PEDAL



Service Item	F.R.T.	BOM Of Group Number: F-17 Model :: Splendor NXG (Sep, 2008)			
		Ref No.	Part Number	Description	Req.
PEDAL, GEAR CHANGE	0.1	1	24701-KST-940	PEDAL GEAR CHANGE	1
ARM, KICK STARTER	--	2	28293-KAG-900	CLIP, KICK STARTER	1
BAR COMP., SIDE STAND	--	3	2830A-KVH-850	ARM, SUB ASSY., KICK STARTER	1
BRACKET COMP., R/L P./STEP	--	4	28302-KWA-940	JOINT KICK ARM	1
STEP RUBBER PILLION	--	5	28321-KTC-900	PIN, KICK STARTER	1
		6	28333-124-000	SPRING, KICK STARTER STOPPER	1
		7	37243-323-000	COLLAR , METER SET	2
		8	50160-KCC-900	BRACKET COMP., 'R' STEP	1
		9	50530-KST-940	BAR COMP., SIDE STAND	1
		10	50603-KB4-000	PIN, MAIN STEP BAR JOINT	2
		11	50614-413-000	WASHER, MAIN STEP	2
		12	50618-KCC-000	BAR 'R' STEP	1
		13	50619-KCC-000	BAR 'L' STEP	1
		14	50619-425-010	STOPPER, STEP RUBBER	2
		15	50661-425-670	RUBBER STEP	2
		16	50701-KWA-940	BRACKET COMP., R. PINON STEP	1
		17	50702-KST-940	BRACKET COMP. 'L' PILLION STEP	1
		18	50702-KST-940A	COVER, 'L' PILLION STEP BRKT.	1
		19	50705-KST-940	GUIDE, TUBE	1
		20	50711-198-720	RUBBER, STEP PILLION	2

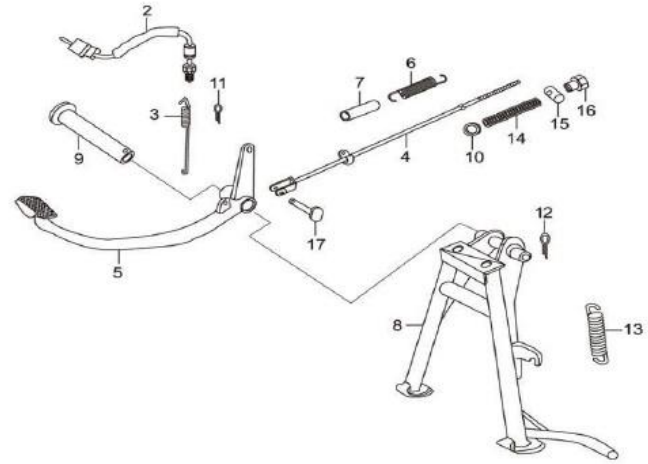
F-17

STEP ASSY./ KICK STARTER/ GEAR CHANGE PEDAL



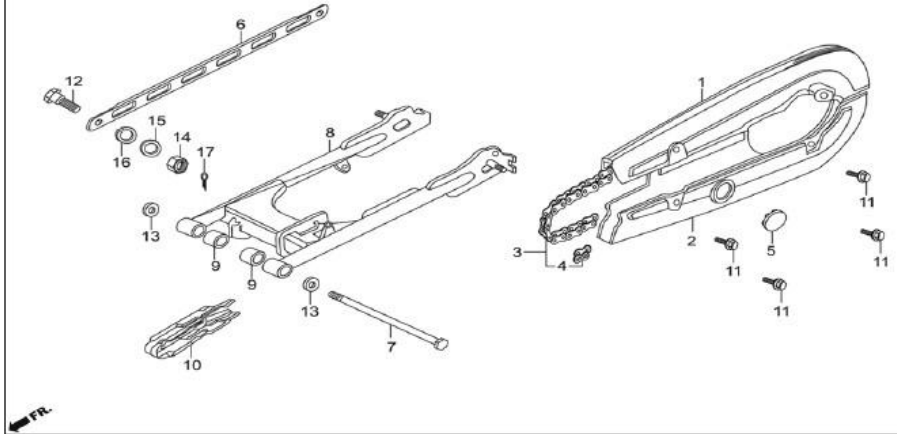
Service Item	F.R.T.	BOM Of Group Number: F-17 Model :: Splendor NXG (Sep, 2008)			
		Ref No.	Part Number	Description	Req.
PEDAL, GEAR CHANGE	0.1	21	50712-405-000	WASHER, PILLION STEP	2
ARM, KICK STARTER	--	22	50715-405-000	BAR COMP., STEP PILLION	2
BAR COMP., SIDE STAND	--	23	90108-223-000	SCREW ,SIDE STAND PIVOT	1
BRACKET COMP., R/L P./STEP	--	24	90306-KST-942	NUT, CASTLE, 12 MM	1
STEP RUBBER PILLION	--	25	92000-06016-0A	BOLT, HEX., 6 X 16	2
		26	92101-06032-0A	BOLT, FLANGE, 6 X 32	1
		27	94030-10000	NUT HEX., 10MM	1
		28	94050-05000	NUT FLANGE, 5 MM	1
		29	94101-06000	WASHER, PLAIN, 6 MM	2
		30	94101-08000	WASHER, PLAIN, 8MM	2
		31	94201-16120	PIN, SPLIT, 1.6 X 12	2
		32	94201-16150	PIN, SPLIT, 1.6 X 15	2
		33	95015-81000	BOLT, INNER, COVER 6 X 25	2
		34	95011-51000	RUBBER, 'A' KICK STARTER	1
		35	95014-72302	SPRING, 'C' SIDE STAND	1
		36	95701-06020-00	BOLT, FLANGE, 6X20	1
		37	95701-08016-07	BOLT FLANGE, 8 X 16	2
		38	95701-10045-07	BOLT FLANGE, 10 X 45	2
		39	96211-08000	BALL STEEL 8 MM	1

F-18-SELF
MAIN STAND/ PEDAL BRAKE



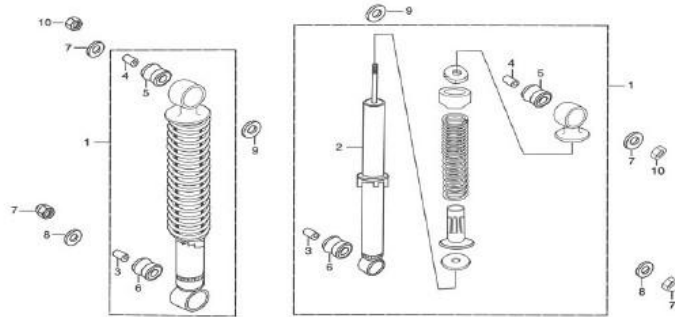
Service Item	F.R.T.	BOM Of Group Number: F-18-SELF Model :: Splendor NXG (Sep, 2008)			
		Ref No.	Part Number	Description	Req.
SWITCH ASSY., RR. STOP	0.2	2	35350-KWA-940	SWITCH ASSY., REAR STOP (SELF)	1
ROD COMP., RR. BRAKE	0.3	3	35357-KST-940	SPRING STOP SWITCH	1
PEDAL, BREAK	0.5	4	43451-KCC-600	ROD COMP. RR. BRAKE	1
SPRING, BREAK PEDAL	0.1	5	46500-KST-940	PEDAL, BRAKE	1
STAND COMP., MAIN	0.4	6	46514-KCC-900	SPRING , BRAKE PEDAL	1
		7	46515-KB9-000	TUBE , BRAKE PEDAL SPRING	1
		8	50500-KST-940	STAND COMP. MAIN	1
		9	50512-KTC-900	PIPE, RR. BRAKE PIVOT	1
		10	90502-198-900	WASHER , BRAKE ROD	1
		11	94201-20150	PIN, SPLIT, 2.0 X 15	1
		12	94201-30250	PIN, SPLIT, 3.0 X 25	1
		13	95014-71702	SPRING 'G' MAIN STAND	1
		14	95014-73100	SPRING 'A' BRAKE ROD	1
		15	95015-32001	JOINT 'B' BRAKE ARM	1
		16	95015-42000	NUT `B' BRAKE ROD ADJUSTING	1
		17	95015-53000	PIN, 'C' JOINT	1

F-19
REAR FORK / CHAIN CASE



Service Item	F.R.T.	BOM Of Group Number: F-19 Model :: Splendor NXG (Sep, 2008)			
		Ref No.	Part Number	Description	Req.
CASE, UPPER (HALF) DRIVE CHAIN. (ONE OR ALL)	0.1 --	1	40510-KST-940ZZ	CASE, UPPER(HALF) DRIVE CHAIN (BLK)	1
CHAIN, DRIVE	0.3	2	40520-KST-940ZZ	CASE, UNDER(HALF) DRIVE CHAIN (BLK)	1
ARM, RR BRAKE STOPPER	0.2	3	40530-KST-940	CHAIN DRIVE (420-108)	1
SWING ARM COMP., RR	0.7	4	40531-KTE-912	JOINT, RJ DRIVE CHAIN	1
RUBBER BUSH, RR. FORK PIVOT	1.0	5	40545-001-000	CAP, CHAIN PEEP HOLE	1
PACKING, DRIVE CHAIN CASE	--	6	43431-KST-940	ARM, RR BRAKE STOPPER	1
		7	52101-KST-940	BOLT, SWING ARM PIVOT	1
		8	52110-KST-940	SWING ARM, COMP. , RR.	1
		9	52147-KTC-900	RUBBER BUSH, RR. FORK PIVOT	2
		10	52170-KST-940	SLIDER CHAIN	1
		11	90118-383-000	BOLT, WASHER, 6 X6	4
		12	90133-331-770	BOLT, HEX., 8MM	1
		13	90183-KTC-900	WASHER, SPL., 12 MM	2
		14	94001-08000-0S	NUT, HEX., 8 MM	1
		15	94101-08000	WASHER, PLAIN, 8MM	1
		16	94111-10000	WASHER, SPRING, 10MM	1
		17	94201-20150	PIN, SPLIT, 2.0 X 15	1

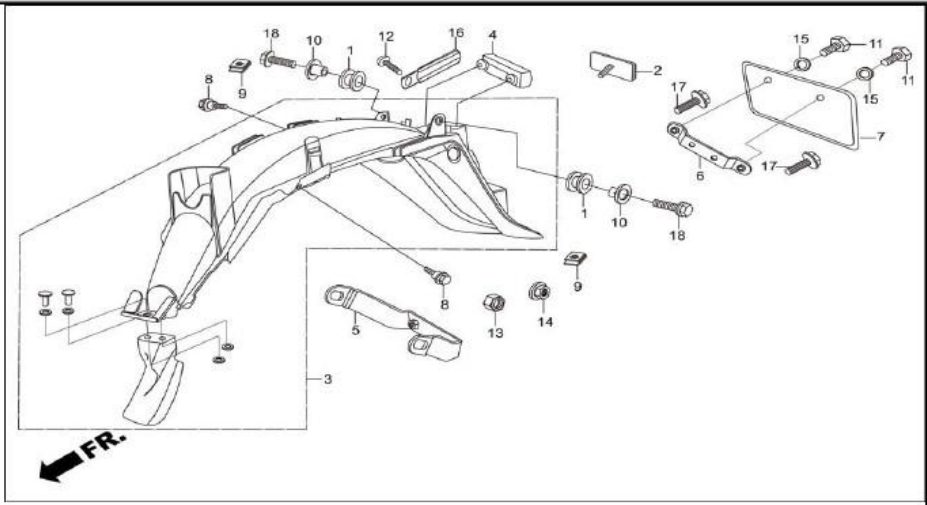
F-20
REAR CUSHION



FR.

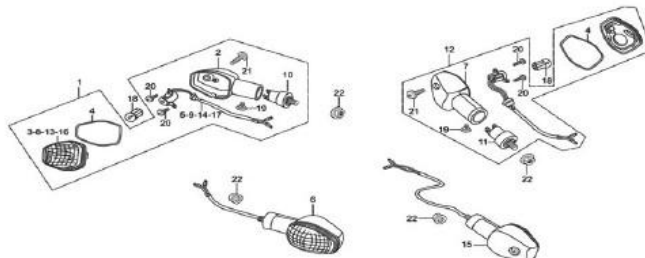
Service Item	F.R.T.	BOM Of Group Number: F-20 Model :: Splendor NXG (Sep, 2008)			
Ref No.	Part Number	Description	Req.		
CUSHION ASSY., RR	0.2				
1	52400-KVH-902	CUSHION ASSY., REAR	2		
2	52410-KTC-901	DAMPER COMP. , REAR	2		
3	52486-KAG-900	COLLAR ,RUBBER BUSH (UNDER)	2		
4	52486-056-000	COLLAR, RUBBER BUSH (UPPER)	2		
5	52489-399-600	BUSH ,RUBBER (UPPER)	2		
6	52495-098-000	BUSH, RUBBER (UNDER)	2		
7	90202-329-000	NUT, FLANGE, CAP, 10MM	2		
8	90551-KTE-910	WASHER SPECIAL, 10 MM	4		
9	94101-12800	WASHER,PLAIN ,12 MM	2		
10	94050-10000	NUT, FLANGE, 10MM	2		

F-21
REAR FENDER



Service Item	F.R.T.	BOM Of Group Number: F-21 Model :: Splendor NXG (Sep, 2008)			
		Ref No.	Part Number	Description	Req.
FENDER COMP., RR.	0.6	1	33714-KL3-620	RUBBER, TAIL LIGHT	2
BRACKET, NO. PLATE	--	2	33741-KST-920	REFLEX REFLECTOR	1
STAY, REAR WINKER	--	3	80100-KVH-850	FENDER COMP., REAR	1
		4	80102-KVH-900	RUBBER, TAIL LIGHT SET	1
		5	80151-KVH-900	STAY, REAR WINKER	1
		6	84701-KCC-860	BRACKET, NUMBER PLATE	1
		7	84701-P26-D00A	NUMBER, PLATE REAR	1
		8	90111-187-000	BOLT, FLANGE. 6 MM	2
		9	90320-GC3-000	NUT, SPRING, M5	2
		10	90501-MC4-000	COLLAR A, AIR/C CASE	2
		11	92000-06012-0A	BOLT, HEX., 6X12	2
		12	93903-34220	SCREW TAPPING 4X10	1
		13	94002-06000-0S	NUT, HEX 6MM	1
		14	94050-06000	NUT, FLANGE, 6 MM	1
		15	94101-06000	WASHER, PLAIN, 6 MM	2
		16	94591-27000	CLIP 2 X 70	1
		17	95701-06016-08	BOLT , FLANGE 6 X 16	2
		18	95701-06020-08	BOLT, FLANGE, 6 X 20	2

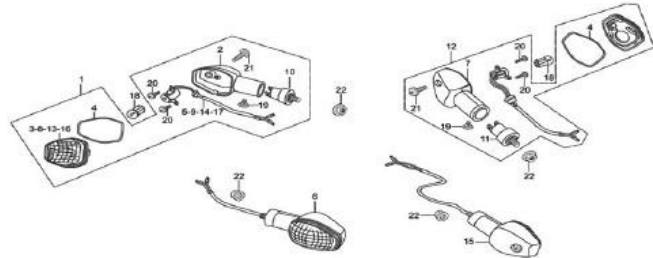
F-22
WINKER



FR.

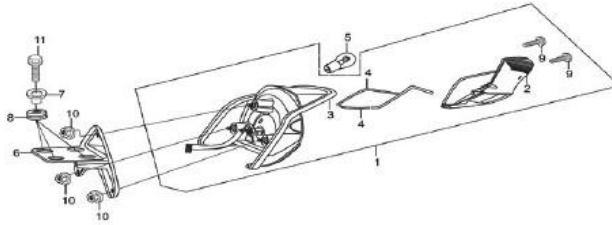
Service Item	F.R.T.	BOM Of Group Number: F-22 Model :: Splendor NXG (Sep, 2008)			
		Ref No.	Part Number	Description	Req.
WINKER ASSY., FR. (ADD 0.1 FOR EACH)	0.2 --	1	3340A-KVH-900	WINKER ASSY., 'R' FR.	1
STAY COMP., WINKER (ADD 0.1 FOR EACH)	-- --	2	33401-KTR-901	BASE, WINKER 'R' FR./'L'. RR	2
WINKER ASSY., RR. (ADD 0.1 FOR EACH)	-- --	3	33403-KTR-901	LENS COMP., R WINKER	1
BULB, WINKER	0.1	4	33406-KTR-901	SEAL, GASKET.	4
		5	33415-KVH-900	SOCKET, COMP.'R' WINKER	1
		6	3345A-KVH-900	WINKER ASSY., 'L' FR	1
		7	33451-KTR-901	BASE, WINKER 'L' FR./'R'. RR	2
		8	33453-KTR-901	LENS COMP., L WINKER	1
		9	33465-KVH-900	SOCKET, COMP.'L' WINKER	1
		10	33491-KAF-003	STAY, COMP. WINKER	2
		11	33491-KRC-900	STAY COMP., WINKER	2
		12	3360A-KVH-900	WINKER ASSY., 'R' RR	1
		13	33603-KTR-901	LENS COMP., R WINKER	1
		14	33615-KVH-900	SOCKET, COMP.'R' WINKER	1
		15	3365A-KVH-900	WINKER ASSY., 'L' REAR	1
		16	33653-KTR-901	LENS COMP., L WINKER	1
		17	33665-KVH-900	SOCKET, COMP.'R' WINKER	1
		18	34904-KVH-900	BULB, WINKER LIGHT	4
		19	90380-MB2-000	SCREW, SPECIAL, 6 X 8	4
		20	93901-22310	SCREW, TAPPING, 3 X 12	8

F-22
WINKER



Service Item	F.R.T.	BOM Of Group Number: F-22 Model :: Splendor NXG (Sep, 2008)			
		Ref No.	Part Number	Description	Req.
WINKER ASSY., FR. (ADD 0.1 FOR EACH)	0.2 --	21	93903-34480	SCREW, TAPPING, 4X 16	4
STAY COMP., WINKER (ADD 0.1 FOR EACH)	-- --	22	94050-10000	NUT, FLANGE, 10MM	4
WINKER ASSY., RR. (ADD 0.1 FOR EACH)	-- --				
BULB, WINKER	0.1				

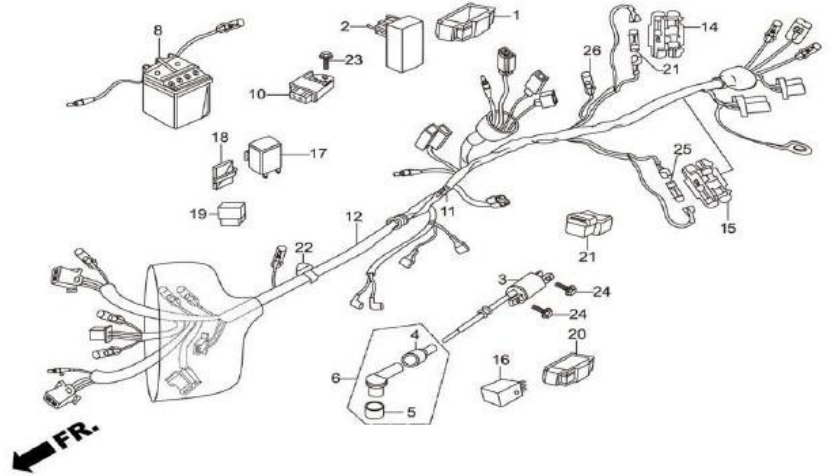
F-23
TAIL LIGHT



FR.

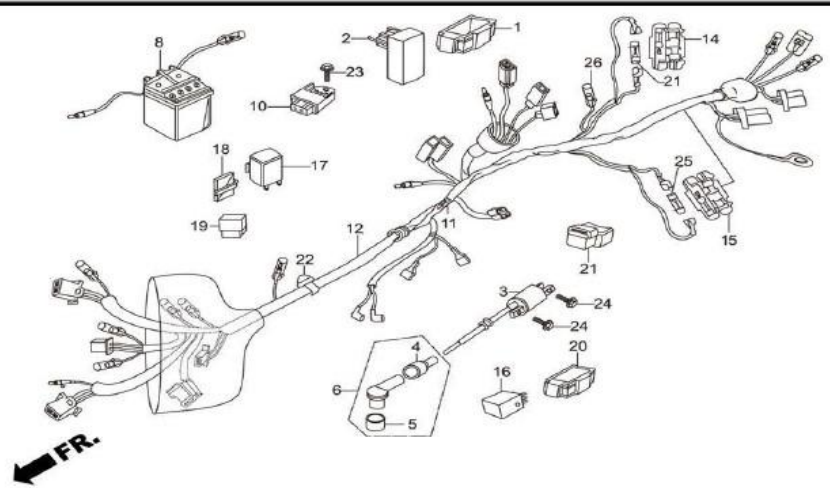
Service Item	F.R.T.	BOM Of Group Number: F-23 Model :: Splendor NXG (Sep, 2008)			
		Ref No.	Part Number	Description	Req.
UNIT, TAIL LIGHT	0.4	1	3370A-KVH-901	UNIT ASSY., TAIL	1
LENS, TAIL LIGHT	--	2	33703-KVH-900	LENS COMP., TAIL LIGHT	1
BASE COMP., RR.	--	3	33704-KVH-900	BASE COMP., TAIL LIGHT	1
BULB, TAIL LIGHT	0.1	4	33709-KVH-900	PACKING LENS	1
		5	34906-447-710	BULB, TAIL & STOP LIGHT (12V-21/5W)	1
		6	77245-KVH-900	STAY, TAIL LIGHT	1
		7	77247-KVH-900	COLLAR, TAIL LIGHT	4
		8	77248-KVH-900	RUBBER, TAIL LIGHT STAY MTG.	4
		9	93901-24480	SCREW, TAPPING, 4 X 16	2
		10	94050-06000	NUT, FLANGE, 6 MM	3
		11	95701-06025-00	BOLT, FLANGE, 6X 25	4

F-24-SELF
WIRE HARNESS BATTERY



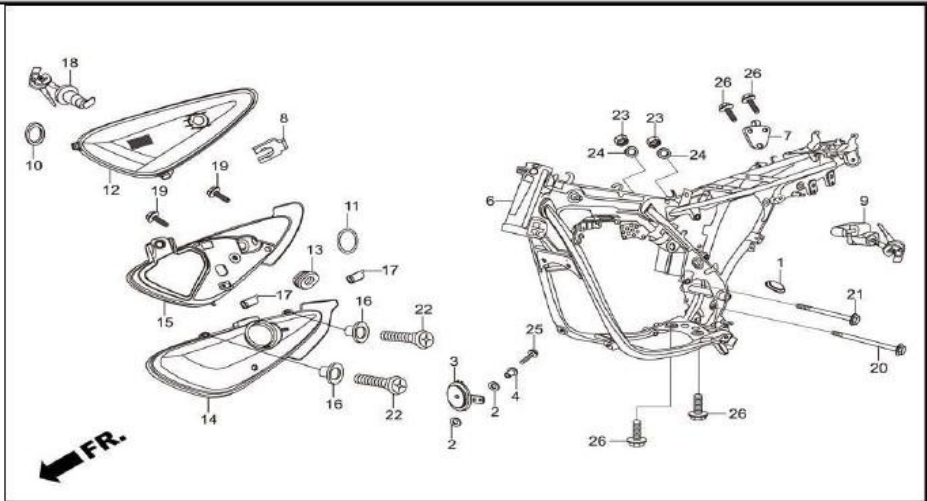
Service Item	F.R.T.	BOM Of Group Number: F-24-SELF Model :: Splendor NXG (Sep, 2008)			
		Ref No.	Part Number	Description	Req.
UNIT COMP., C.D.I	0.4	1	30401-KVE-901	CUSHION, C.D.I. UNIT	1
COIL ASSY. IGNITION	--	2	30410-KVH-901	UNIT COMP., DIGITAL DC CDI	1
RECTIFIER COMP., REGULATOR	--	3	30500-KST-940	COIL ASSY., IGNITION	1
BATTERY ASSY.	0.1	4	30604-KJ9-000	CAP, CORD WATER PROOF	1
RELAY COMP., WINKER	--	5	30605-KM1-000	SEAL, HIGH TENSION TERMINAL	1
HARNESS WIRE	0.9	6	30700-KM1-020	CAP, ASSY., NOISE SUPPRESSOR	1
		8	31500-GBG-850	BATTERY ASSY.	1
		10	31600-KTC-901	RECTIFIER COMP., REGULATOR	1
		11	31700-124-000	RECTIFIER ASSY., SILICON	1
		12	32100-KVH-870	HARNESS WIRE	1
		14	32126-GAG-000	CASE,15 A FUSE	1
		15	32126-463-770	CASE,10 A FUSE	1
		16	35400-KVH-870	RESISTOR ASSY.	1
		17	38301-KWA-931	RELAY COMP WINKER	1
		18	38306-GE7-000	SUSPENSION, WINKER RELAY	1
		19	38501-KTP-890	RELAY COMP., START	1
		20	38502-KSP-910	RELAY COMP., POWER (MICRO ISO 5P)	1
		21	38506-KSP-910	SUS., POWER RELAY	1
		22	91547-SF4-003	BAND,HARN	1
		23	95701-06014-18	BOLT, FLANGE, 6 X 14	1

F-24-SELF
WIRE HARNESS BATTERY



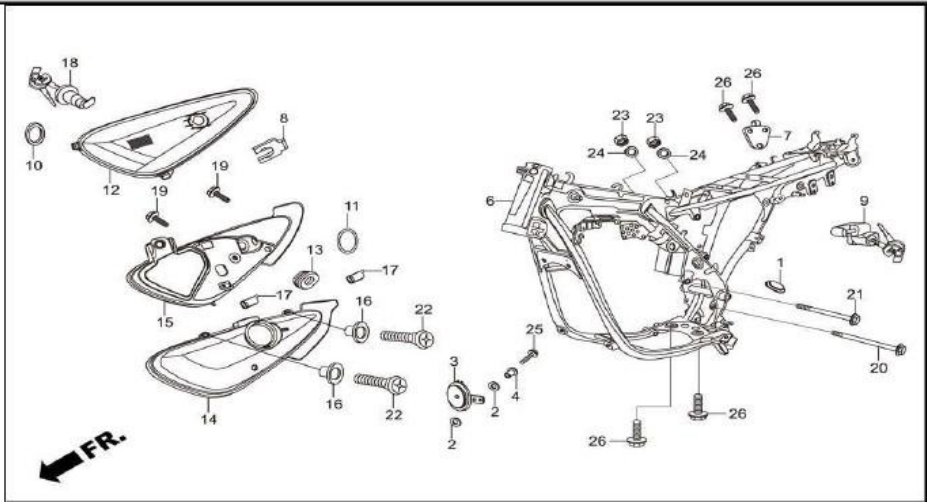
Service Item	F.R.T.	BOM Of Group Number: F-24-SELF Model :: Splendor NXG (Sep, 2008)			
		Ref No.	Part Number	Description	Req.
UNIT COMP., C.D.I	0.4				
COIL ASSY. IGNITION	--	24	96001-06020-00	BOLT, FLANGE, SH. 6 X 20	1
RECTIFIER COMP., REGULATOR	--	25	98200-11000	FUSE, A10	1
BATTERY ASSY.	0.1	26	98200-11500	FUSE, A 15	1
RELAY COMP., WINKER	--				
HARNESS WIRE	0.9				

F-25-SELF
FARME BODY/ UTILITY BOX



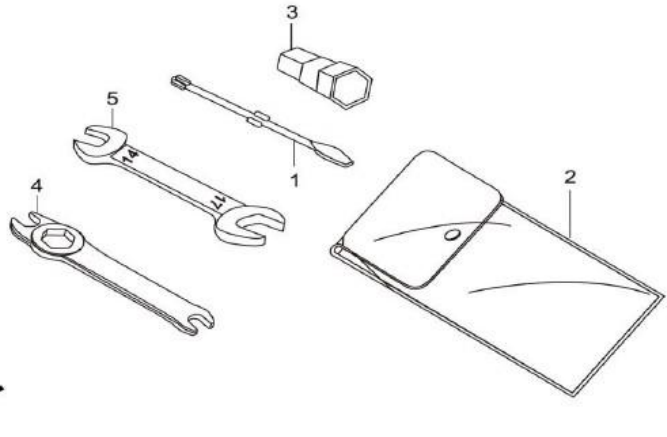
Service Item	F.R.T.	BOM Of Group Number: F-25-SELF Model :: Splendor NXG (Sep, 2008)			
		Ref No.	Part Number	Description	Req.
BODY COMP., FRAME	5.0	1	32712-ZA0-000	GROMMET, TERM/C	1
UTILITY BOX COMP.	--	2	33714-KL3-620	RUBBER, TAIL LIGHT	2
(INC. RELATIVE PART)	--	3	38110-KTC-900	HORN COMP.,	1
		4	38117-KFE-701	COLLAR, HORN SET	1
		6	50100-KVH-870	FRAME BODY COMP.	1
		7	50211-KST-920	PLATE, ENGINE HANGER	1
		8	75581-673-000	SET SPRING, LOCK KEY	1
		9	50720-KVH-A01	HOLDER ASSY., HELMET	1
		10	80123-KCC-870	BAND, TOOL	1
		11	83514-KVH-900	SEAL, UTILITY BOX	1
		12	83515-KVH-900	COVER R UTILITY BOX	1
		13	83516-KCC-900	GROMMET , UTILITY BOX	1
		14	83516-KVH-900	COVER L UTILITY BOX	1
		15	83517-KVH-900	UTILITY BOX	1
		16	83518-KVH-900	COLLAR, UTILITY BOX	2
		17	83519-KVH-900	PLUG, UTILITY BOX	2
		18	83550-KVH-900	LOCK , SIDE COVER	1
		19	90111-187-000	BOLT, FLANGE. 6 MM	2
		20	90116-KCC-900	BOLT FLANGE, 8 X 97	1
		21	90117-KCC-900	BOLT, FLANGE, 8 X 110	1

F-25-SELF
 FARME BODY/ UTILITY BOX



Service Item	F.R.T.	BOM Of Group Number: F-25-SELF Model :: Splendor NXG (Sep, 2008)			
		Ref No.	Part Number	Description	Req.
BODY COMP., FRAME	5.0	22	93500-05020-0G	SCREW, PAN, 5 X 20	2
UTILITY BOX COMP.	--	23	94030-08000	NUT, HEX., 8 MM	2
(INC. RELATIVE PART)	--	24	94111-08000	WASHER, SPRING, 8MM	2
		25	95701-06020-07	BOLT, FLANGE, 6 X 20	1
		26	95701-08016-00	BOLT, FLANGE, 8X16	4

F-26
TOOLS



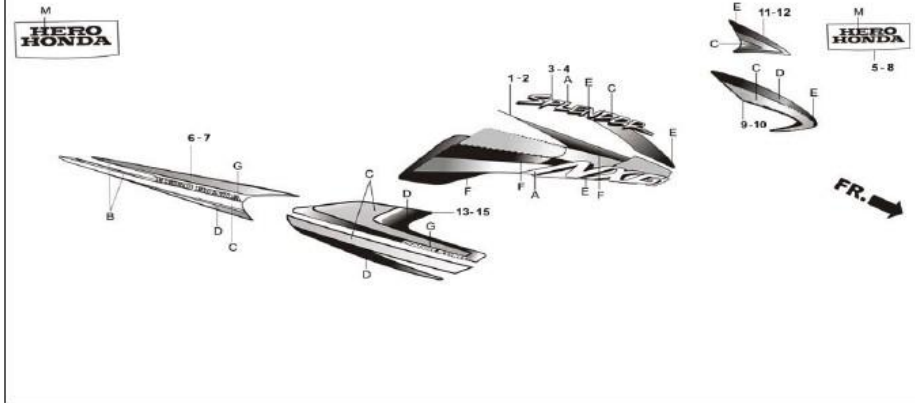
Service Item

F.R.T.

BOM Of Group Number: F-26 Model :: Splendor NXG (Sep, 2008)

Ref No.	Part Number	Description	Req.
1	89102-KTC-900	DRIVER NO. 2, PLUS-MINUS	1
2	89216-KAG-910	BAG, TOOL	1
3	89216-KTC-900	WRENCH, SPARKING PLUG	1
4	89218-KVH-850	EYE WRENCH 19	1
5	99001-14170	SPANNER, 14 X 17	1

F-27-SELF
STRIPES/ MARKS



Service Item

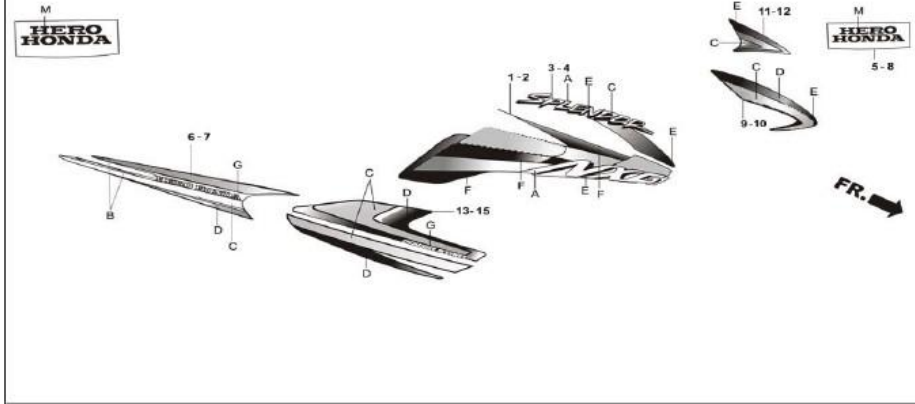
F.R.T.

BOM Of Group Number: F-27-SELF Model :: Splendor NXG (Sep, 2008)

Ref No.	Part Number	Description	Req.
1	17515-KVH-950ZA	STRIPE A, R., FUEL TANK (TYPE-1)	1
	17515-KVH-950ZB	STRIPE A, R., FUEL TANK (TYPE-2)	1
	17515-KVH-950ZC	STRIPE A, R., FUEL TANK (TYPE-3)	1
	17515-KVH-950ZE	STRIPE A, R., FUEL TANK (TYPE-4)	1
	17515-KVH-950ZF	STRIPE A, R., FUEL TANK (TYPE-5)	1

SPECIFIED COLOUR CHART FOR STRIPE RIGHT FUEL TANK					
SPECIFIED COLOUR TYPE	A	C	E	F	MAIN BODY COLOUR
1	NH-138 SHASTA WHITE	NH-411M FORCE SILVER ME.	NH-1 BLACK	R-321 SPORTS RED	BLACK (NH-1) TYPE-1
2	NH-138 SHASTA WHITE	NH-411M FORCE SILVER ME.	NH-1 BLACK	ENDURANCE VIOLET	BLACK (NH-1) TYPE-2
3	NH-138 SHASTA WHITE	NH-411M FORCE SILVER ME.	NH-1 BLACK	REDDISH GRAY ME.	BLACK (NH-1) TYPE-3
4	NH-138 SHASTA WHITE	NH-282M TERRA SILVER ME.	NH-1 BLACK	REDDISH SILVER ME.	FORCE SILVER ME. (NH-411M)
5	NH-138 SHASTA WHITE	NH-411M FORCE SILVER ME.	NH-1 BLACK	NH-1 BLACK	VIBRANT BLUE ME. (PB-374M)
5	NH-138 SHASTA WHITE	NH-411M FORCE SILVER ME.	NH-1 BLACK	NH-1 BLACK	CANDY BLAZING RED (R-195C)

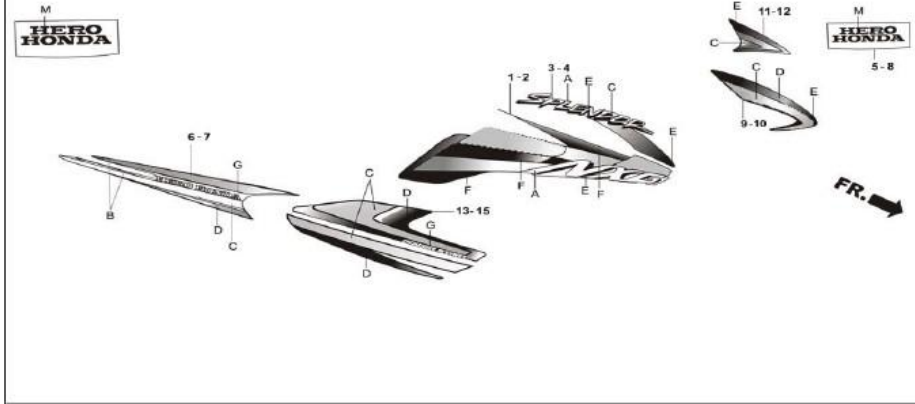
F-27-SELF
STRIPES/ MARKS



Service Item	F.R.T.	BOM Of Group Number: F-27-SELF Model :: Splendor NXG (Sep, 2008)		
Ref No.	Part Number	Description	Req.	
2	17516-KVH-950ZA	STRIPE A, L., FUEL TANK (TYPE-1)	1	
	17516-KVH-950ZB	STRIPE A, L., FUEL TANK (TYPE-2)	1	
	17516-KVH-950ZC	STRIPE A, L., FUEL TANK (TYPE-3)	1	
	17516-KVH-950ZE	STRIPE A, L., FUEL TANK (TYPE-4)	1	
	17516-KVH-950ZF	STRIPE A, L., FUEL TANK (TYPE-5)	1	

SPECIFIED COLOUR CHART FOR STRIPE LEFT FUEL TANK					
SPECIFIED TYPE / COLOUR	A	C	E	F	MAIN BODY COLOUR
1	NH-138 SHASTA WHITE	NH-411M FORCE SILVER ME.	NH-1 BLACK	R-321 SPORTS RED	BLACK (NH-1) TYPE-1
2	NH-138 SHASTA WHITE	NH-411M FORCE SILVER ME.	NH-1 BLACK	ENDURANCE VIOLET	BLACK (NH-1) TYPE-2
3	NH-138 SHASTA WHITE	NH-411M FORCE SILVER ME.	NH-1 BLACK	REDDISH GRAY ME.	BLACK (NH-1) TYPE-3
4	NH-138 SHASTA WHITE	NH-262M TERRA SILVER ME.	NH-1 BLACK	REDDISH SILVER ME.	FORCE SILVER ME. (NH-411M)
5	NH-138 SHASTA WHITE	NH-411M FORCE SILVER ME.	NH-1 BLACK	NH-1 BLACK	VIBRANT BLUE ME. (PB-374M)
5	NH-138 SHASTA WHITE	NH-411M FORCE SILVER ME.	NH-1 BLACK	NH-1 BLACK	CANDY BLAZING RED (R-195C)

F-27-SELF
STRIPES/ MARKS



Service Item

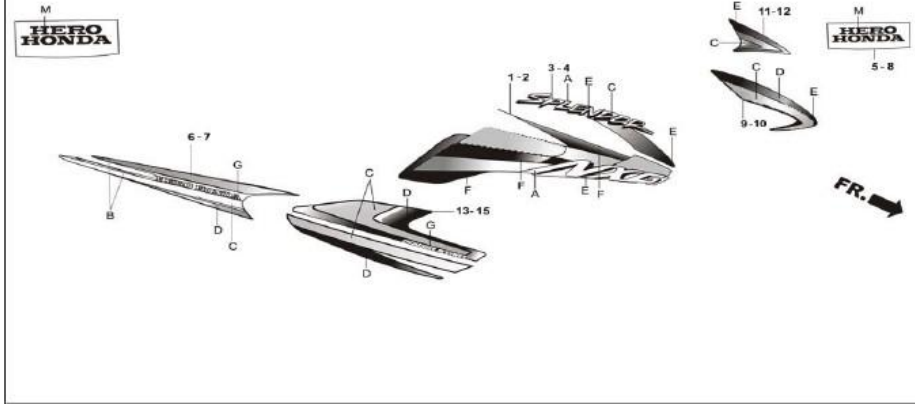
F.R.T.

BOM Of Group Number: F-27-SELF Model :: Splendor NXG (Sep, 2008)

Ref No.	Part Number	Description	Req.
3	17521-KVH-950ZA	STRIPE B, R., FUEL TANK (TYPE-1)	1
	17521-KVH-950ZB	STRIPE B, R., FUEL TANK (TYPE-2)	1
	17521-KVH-950ZC	STRIPE B, R., FUEL TANK (TYPE-3)	1
	17521-KVH-950ZE	STRIPE B, R., FUEL TANK (TYPE-4)	1
	17521-KVH-950ZF	STRIPE B, R., FUEL TANK (TYPE-5)	1

SPECIFIED COLOUR CHART FOR STRIPE RIGHT FUEL TANK					
SPECIFIED COLOUR TYPE	A	C	E	F	MAIN BODY COLOUR
1	NH-138 SHASTA WHITE	NH-411M FORCE SILVER ME.	NH-1 BLACK	R-321 SPORTS RED	BLACK (NH-1) TYPE-1
2	NH-138 SHASTA WHITE	NH-411M FORCE SILVER ME.	NH-1 BLACK	ENDURANCE VIOLET	BLACK (NH-1) TYPE-2
3	NH-138 SHASTA WHITE	NH-411M FORCE SILVER ME.	NH-1 BLACK	REDDISH GRAY ME.	BLACK (NH-1) TYPE-3
4	NH-138 SHASTA WHITE	NH-282M TERRA SILVER ME.	NH-1 BLACK	REDDISH SILVER ME.	FORCE SILVER ME. (NH-411M)
5	NH-138 SHASTA WHITE	NH-411M FORCE SILVER ME.	NH-1 BLACK	NH-1 BLACK	VIBRANT BLUE ME. (PB-374M)
5	NH-138 SHASTA WHITE	NH-411M FORCE SILVER ME.	NH-1 BLACK	NH-1 BLACK	CANDY BLAZING RED (R-195C)

F-27-SELF
STRIPES/ MARKS



Service Item

F.R.T.

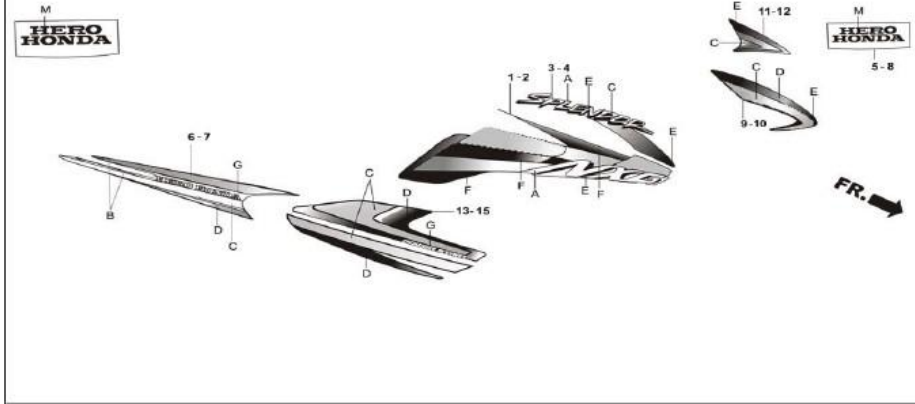
BOM Of Group Number: F-27-SELF Model :: Splendor NXG (Sep, 2008)

Ref No.	Part Number	Description	Req.
4	17522-KVH-950ZA	STRIPE B, L., FUEL TANK (TYPE-1)	1
	17522-KVH-950ZB	STRIPE B, L., FUEL TANK (TYPE-2)	1
	17522-KVH-950ZC	STRIPE B, L., FUEL TANK (TYPE-3)	1
	17522-KVH-950ZE	STRIPE B, L., FUEL TANK (TYPE-4)	1
	17522-KVH-950ZF	STRIPE B, L., FUEL TANK (TYPE-5)	1

SPECIFIED COLOUR CHART FOR STRIPE LEFT FUEL TANK

SPECIFIED TYPE / COLOUR	A	C	E	F	MAIN BODY COLOUR
1	NH-138 SHASTA WHITE	NH-411M FORCE SILVER ME.	NH-1 BLACK	R-321 SPORTS RED	BLACK (NH-1) TYPE-1
2	NH-138 SHASTA WHITE	NH-411M FORCE SILVER ME.	NH-1 BLACK	ENDURANCE VIOLET	BLACK (NH-1) TYPE-2
3	NH-138 SHASTA WHITE	NH-411M FORCE SILVER ME.	NH-1 BLACK	REDDISH GRAY ME.	BLACK (NH-1) TYPE-3
4	NH-138 SHASTA WHITE	NH-262M TERRA SILVER ME.	NH-1 BLACK	REDDISH SILVER ME.	FORCE SILVER ME. (NH-411M)
5	NH-138 SHASTA WHITE	NH-411M FORCE SILVER ME.	NH-1 BLACK	NH-1 BLACK	VIBRANT BLUE ME. (PB-374M)
5	NH-138 SHASTA WHITE	NH-411M FORCE SILVER ME.	NH-1 BLACK	NH-1 BLACK	CANDY BLAZING RED (R-195C)

F-27-SELF
STRIPES/ MARKS



Service Item

F.R.T.

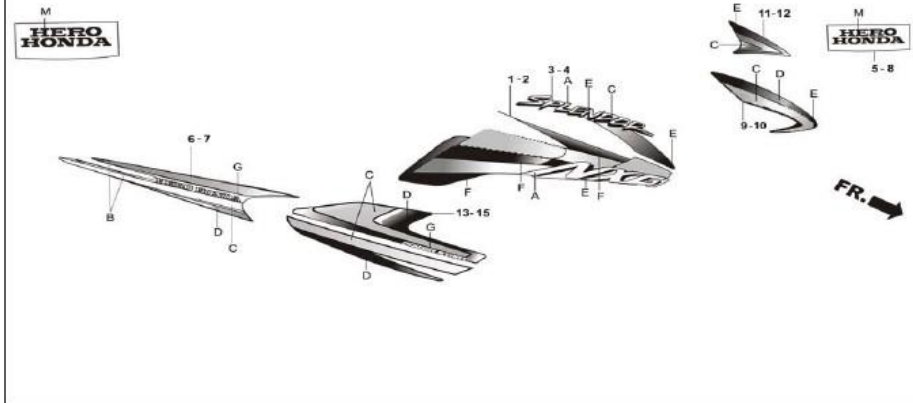
BOM Of Group Number: F-27-SELF Model :: Splendor NXG (Sep, 2008)

Ref No.	Part Number	Description	Req.
5	61305-KVH-900ZA	MARK, HERO HONDA 80 (TYPE-1)	1
	61305-KVH-900ZE	MARK, HERO HONDA 80 (TYPE-2)	1

SPECIFIED COLOUR CHART FOR MARK FRONT COWL

SPECIFIED COLOUR		M		MAIN BODY COLOUR	
TYPE					
1		FORCE SILVER ME. (NH-411M)		BLACK (NH-1) TYPE-1	
1		FORCE SILVER ME. (NH-411M)		BLACK (NH-1) TYPE-2	
1		FORCE SILVER ME. (NH-411M)		BLACK (NH-1) TYPE-3	
2		BLACK (NH-1)		FORCE SILVER ME. (NH-411M)	
1		FORCE SILVER ME. (NH-411M)		VIBRANT BLUE ME. (PB-374M)	
1		FORCE SILVER ME. (NH-411M)		CANDY BLAZING RED (R-195C)	

F-27-SELF
STRIPES/ MARKS



Service Item

F.R.T.

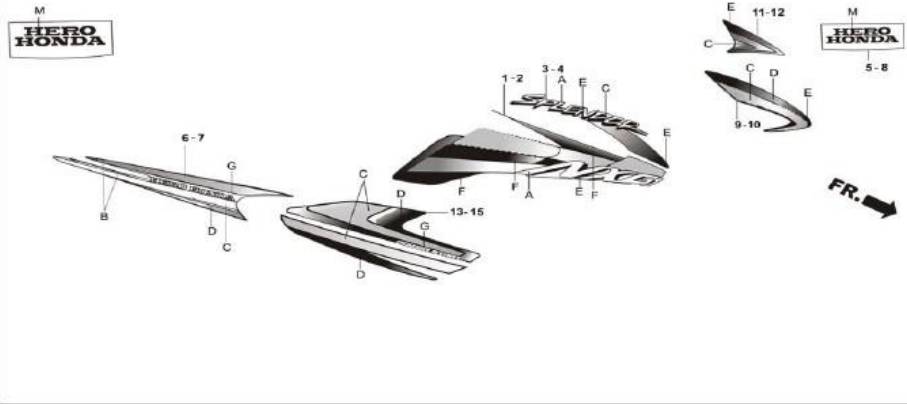
BOM Of Group Number: F-27-SELF Model :: Splendor NXG (Sep, 2008)

Ref No.	Part Number	Description	Req.
6	77216-KVH-950ZA	STRIPE, R. REAR COWL (TYPE-1)	1
	77216-KVH-950ZB	STRIPE, R. REAR COWL (TYPE-2)	1
	77216-KVH-950ZC	STRIPE, R. REAR COWL (TYPE-3)	1
	77216-KVH-950ZE	STRIPE, R. REAR COWL (TYPE-4)	1
	77216-KVH-950ZF	STRIPE, R. REAR COWL (TYPE-5)	1

SPECIFIED COLOUR CHART FOR STRIPE RIGHT REAR COWL

SPECIFIED TYPE COLOUR	B	C	D	G	E	MAIN BODY COLOUR
1	R-32 SPORTS RED	NH-411M FORCE SILVER ME.	R-321 SPORTS RED	NH-138 SHASTA WHITE	BLACK (NH-1)	BLACK (NH-1) TYPE-1
2	ENDURANCE VIOLET	NH-411M FORCE SILVER ME.	ENDURANCE VIOLET	NH-138 SHASTA WHITE	BLACK (NH-1)	BLACK (NH-1) TYPE-2
3	NH-411M FORCE SILVER ME.	NH-411M FORCE SILVER ME.	REDDISH GRAY ME.	NH-138 SHASTA WHITE	BLACK (NH-1)	BLACK (NH-1) TYPE-3
4	REDDISH SILVER ME.	NH-282M TERRA SILVER ME.	REDDISH SILVER ME.	REDDISH SILVER ME.	BLACK (NH-1)	FORCE SILVER ME. (NH-411M)
5	NH-1 BLACK	NH-411M FORCE SILVER ME.	NH-1 BLACK	NH-138 SHASTA WHITE	BLACK (NH-1)	VIBRANT BLUE ME. (PB-374M)
5	NH-1 BLACK	NH-411M FORCE SILVER ME.	NH-1 BLACK	NH-138 SHASTA WHITE	BLACK (NH-1)	CANDY BLAZING RED (R-195C)

F-27-SELF
STRIPES/ MARKS



Service Item

F.R.T.

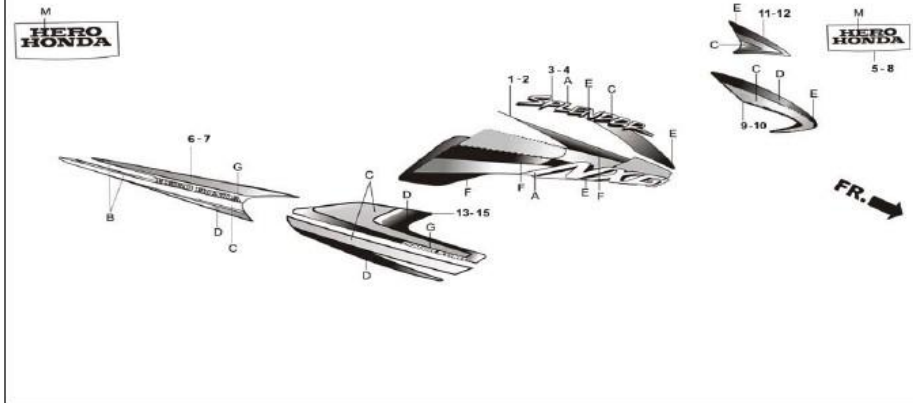
BOM Of Group Number: F-27-SELF Model :: Splendor NXG (Sep, 2008)

Ref No.	Part Number	Description	Req.
7	77226-KVH-950ZA	STRIPE, L. REAR COWL (TYPE-1)	1
	77226-KVH-950ZB	STRIPE, L. REAR COWL (TYPE-2)	1
	77226-KVH-950ZC	STRIPE, L. REAR COWL (TYPE-3)	1
	77226-KVH-950ZE	STRIPE, L. REAR COWL (TYPE-4)	1
	77226-KVH-950ZF	STRIPE, L. REAR COWL (TYPE-5)	1

SPECIFIED COLOUR CHART FOR STRIPE LEFT REAR COWL

SPECIFIED COLOUR TYPE	B	C	D	G	E	MAIN BODY COLOUR
1	R-32 SPORTS RED	NH-411M FORCE SILVER ME.	R-321 SPORTS RED	NH-138 SHASTA WHITE	BLACK (NH-1)	BLACK (NH-1) TYPE-1
2	ENDURANCE VIOLET	NH-411M FORCE SILVER ME.	ENDURANCE VIOLET	NH-138 SHASTA WHITE	BLACK (NH-1)	BLACK (NH-1) TYPE-2
3	NH-411M FORCE SILVER ME.	NH-411M FORCE SILVER ME.	REDDISH GRAY ME.	NH-138 SHASTA WHITE	BLACK (NH-1)	BLACK (NH-1) TYPE-3
4	REDDISH SILVER ME.	NH-282M TERRA SILVER ME.	REDDISH SILVER ME.	REDDISH SILVER ME.	BLACK (NH-1)	FORCE SILVER ME. (NH-411M)
5	NH-1 BLACK	NH-411M FORCE SILVER ME.	NH-1 BLACK	NH-138 SHASTA WHITE	BLACK (NH-1)	VIBRANT BLUE ME. (PB-374M)
5	NH-1 BLACK	NH-411M FORCE SILVER ME.	NH-1 BLACK	NH-138 SHASTA WHITE	BLACK (NH-1)	CANDY BLAZING RED (R-195C)

F-27-SELF
STRIPES/ MARKS



Service Item

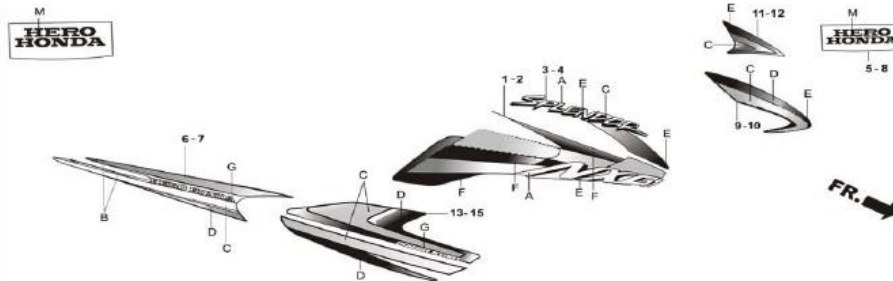
F.R.T.

BOM Of Group Number: F-27-SELF Model :: Splendor NXG (Sep, 2008)

Ref No.	Part Number	Description	Req.
8	77240-KVH-900ZA	MARK HERO HONDA 70 (TYPE-1)	1
	77240-KVH-900ZE	MARK HERO HONDA 70 (TYPE-2)	1

SPECIFIED COLOUR CHART FOR MARK CENTER REAR COWL		
SPECIFIED COLOUR TYPE	M	MAIN BODY COLOUR
1	FORCE SILVER ME. (NH-411M)	BLACK (NH-1) TYPE-1
1	FORCE SILVER ME. (NH-411M)	BLACK (NH-1) TYPE-2
1	FORCE SILVER ME. (NH-411M)	BLACK (NH-1) TYPE-3
2	BLACK (NH-1)	FORCE SILVER ME. (NH-411M)
1	FORCE SILVER ME. (NH-411M)	VIBRANT BLUE ME. (PB-374M)
1	FORCE SILVER ME. (NH-411M)	CANDY BLAZING RED (R-195C)

F-27-SELF
STRIPES/ MARKS



Service Item

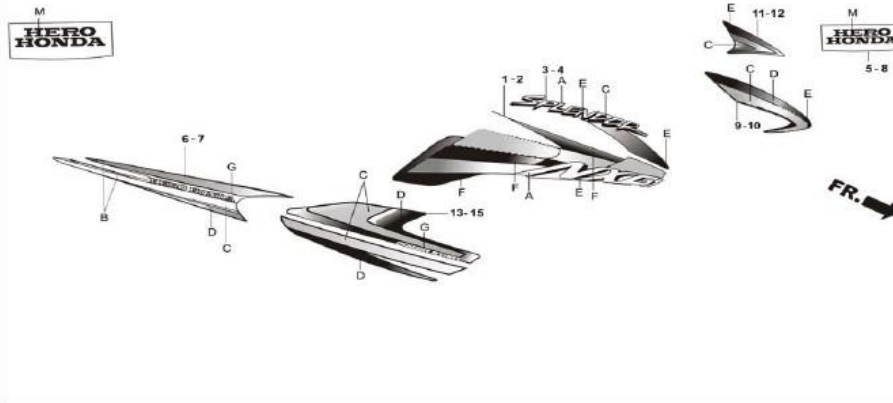
F.R.T.

BOM Of Group Number: F-27-SELF Model :: Splendor NXG (Sep, 2008)

Ref No.	Part Number	Description	Req.
9	83406-KVH-950ZA	STRIPE A, R., FRONT COWL (TYPE-1)	1
	83406-KVH-950ZB	STRIPE A, R., FRONT COWL (TYPE-2)	1
	83406-KVH-950ZC	STRIPE A, R., FRONT COWL (TYPE-3)	1
	83406-KVH-950ZE	STRIPE A, R., FRONT COWL (TYPE-4)	1
	83406-KVH-950ZF	STRIPE A, R., FRONT COWL (TYPE-5)	1

SPECIFIED COLOUR CHART FOR STRIPE RIGHT FRONT COWL				
SPECIFIED COLOUR TYPE	C	D	E	MAIN BODY COLOUR
1	NH-411M FORCE SILVER ME.	R-32 SPORTS RED	NH-1 BLACK	BLACK (NH-1) TYPE-1
2	NH-411M FORCE SILVER ME.	ENDURANCE VIOLET	NH-1 BLACK	BLACK (NH-1) TYPE-2
3	NH-411M FORCE SILVER ME.	REDDISH GRAY ME.	NH-1 BLACK	BLACK (NH-1) TYPE-3
4	NH-262M TERRA SILVER ME.	REDDISH SILVER ME.	NH-1 BLACK	FORCE SILVER ME. (NH-411M)
5	NH-411M FORCE SILVER ME.	NH-1 BLACK	NH-1 BLACK	VIBRANT BLUE ME. (PB-374M)
5	NH-411M FORCE SILVER ME.	NH-1 BLACK	NH-1 BLACK	CANDY BLAZING RED (R-195C)

F-27-SELF
STRIPES/ MARKS



Service Item

F.R.T.

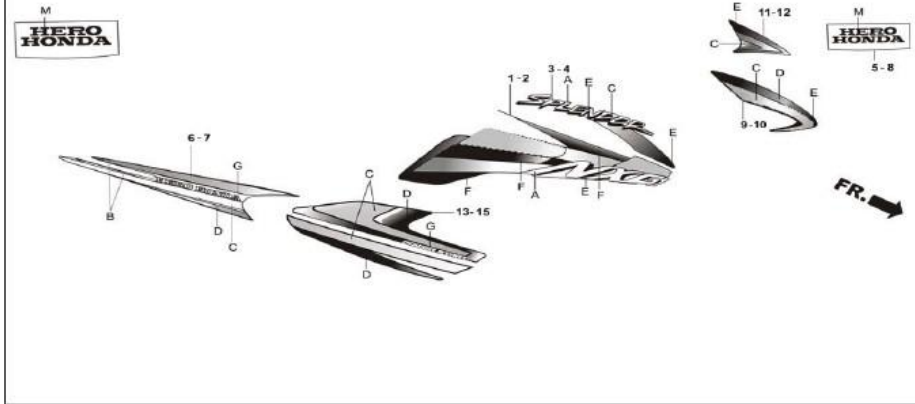
BOM Of Group Number: F-27-SELF Model :: Splendor NXG (Sep, 2008)

Ref No.	Part Number	Description	Req.
10	83407-KVH-950ZA	STRIPE A, L., FRONT COWL (TYPE-1)	1
	83407-KVH-950ZB	STRIPE A, L., FRONT COWL (TYPE-2)	1
	83407-KVH-950ZC	STRIPE A, L., FRONT COWL (TYPE-3)	1
	83407-KVH-950ZE	STRIPE A, L., FRONT COWL (TYPE-4)	1
	83407-KVH-950ZF	STRIPE A, L., FRONT COWL (TYPE-5)	1

SPECIFIED COLOUR CHART FOR STRIPE LEFT FRONT COWL

SPECIFIED COLOUR TYPE	C	D	E	MAIN BODY COLOUR
1	NH-411M FORCE SILVER ME.	R-32 SPORTS RED	NH-1 BLACK	BLACK (NH-1) TYPE-1
2	NH-411M FORCE SILVER ME.	ENDURANCE VIOLET	NH-1 BLACK	BLACK (NH-1) TYPE-2
3	NH-411M FORCE SILVER ME.	REDDISH GRAY ME.	NH-1 BLACK	BLACK (NH-1) TYPE-3
4	NH-262M TERRA SILVER ME.	REDDISH SILVER ME.	NH-1 BLACK	FORCE SILVER ME. (NH-411M)
5	NH-411M FORCE SILVER ME.	NH-1 BLACK	NH-1 BLACK	VIBRANT BLUE ME. (PB-374M)
5	NH-411M FORCE SILVER ME.	NH-1 BLACK	NH-1 BLACK	CANDY BLAZING RED (R-195C)

F-27-SELF
STRIPES/ MARKS



Service Item

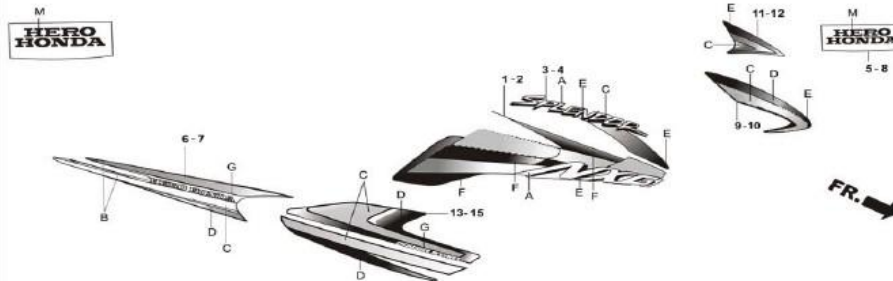
F.R.T.

BOM Of Group Number: F-27-SELF Model :: Splendor NXG (Sep, 2008)

Ref No.	Part Number	Description	Req.
11	83408-KVH-950ZA	STRIPE B, R., FRONT COWL (TYPE-1)	1
	83408-KVH-950ZB	STRIPE B, R., FRONT COWL (TYPE-2)	1
	83408-KVH-950ZC	STRIPE B, R., FRONT COWL (TYPE-3)	1
	83408-KVH-950ZE	STRIPE B, R., FRONT COWL (TYPE-4)	1
	83408-KVH-950ZF	STRIPE B, R., FRONT COWL (TYPE-5)	1

SPECIFIED COLOUR CHART FOR STRIPE RIGHT FRONT COWL				
SPECIFIED COLOUR TYPE	C	D	E	MAIN BODY COLOUR
1	NH-411M FORCE SILVER ME.	R-32 SPORTS RED	NH-1 BLACK	BLACK (NH-1) TYPE-1
2	NH-411M FORCE SILVER ME.	ENDURANCE VIOLET	NH-1 BLACK	BLACK (NH-1) TYPE-2
3	NH-411M FORCE SILVER ME.	REDDISH GRAY ME.	NH-1 BLACK	BLACK (NH-1) TYPE-3
4	NH-262M TERRA SILVER ME.	REDDISH SILVER ME.	NH-1 BLACK	FORCE SILVER ME. (NH-411M)
5	NH-411M FORCE SILVER ME.	NH-1 BLACK	NH-1 BLACK	VIBRANT BLUE ME. (PB-374M)
5	NH-411M FORCE SILVER ME.	NH-1 BLACK	NH-1 BLACK	CANDY BLAZING RED (R-195C)

F-27-SELF
STRIPES/ MARKS



Service Item

F.R.T.

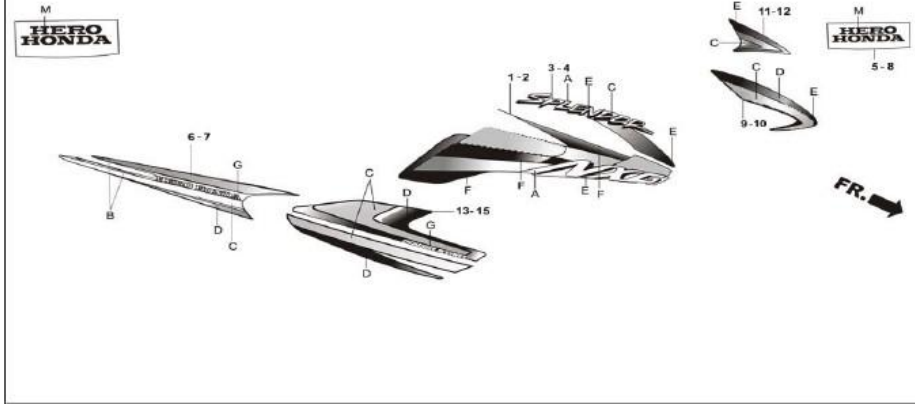
BOM Of Group Number: F-27-SELF Model :: Splendor NXG (Sep, 2008)

Ref No.	Part Number	Description	Req.
12	83409-KVH-950ZA	STRIPE B, L., FRONT COWL (TYPE-1)	1
	83409-KVH-950ZB	STRIPE B, L., FRONT COWL (TYPE-2)	1
	83409-KVH-950ZC	STRIPE B, L., FRONT COWL (TYPE-3)	1
	83409-KVH-950ZE	STRIPE B, L., FRONT COWL (TYPE-4)	1
	83409-KVH-950ZF	STRIPE B, L., FRONT COWL (TYPE-5)	1

SPECIFIED COLOUR CHART FOR STRIPE LEFT FRONT COWL

SPECIFIED COLOUR TYPE	C	D	E	MAIN BODY COLOUR
1	NH-411M FORCE SILVER ME.	R-32 SPORTS RED	NH-1 BLACK	BLACK (NH-1) TYPE-1
2	NH-411M FORCE SILVER ME.	ENDURANCE VIOLET	NH-1 BLACK	BLACK (NH-1) TYPE-2
3	NH-411M FORCE SILVER ME.	REDDISH GRAY ME.	NH-1 BLACK	BLACK (NH-1) TYPE-3
4	NH-262M TERRA SILVER ME.	REDDISH SILVER ME.	NH-1 BLACK	FORCE SILVER ME. (NH-411M)
5	NH-411M FORCE SILVER ME.	NH-1 BLACK	NH-1 BLACK	VIBRANT BLUE ME. (PB-374M)
5	NH-411M FORCE SILVER ME.	NH-1 BLACK	NH-1 BLACK	CANDY BLAZING RED (R-195C)

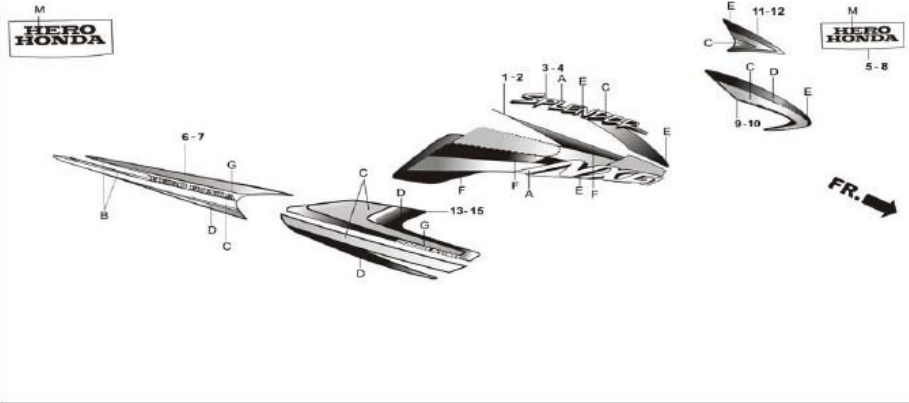
F-27-SELF
STRIPES/ MARKS



Service Item	F.R.T.	BOM Of Group Number: F-27-SELF Model :: Splendor NXG (Sep, 2008)		
Ref No.	Part Number	Description	Req.	
13	87115-KVH-870ZA	STRIPE R, SIDE COVER(TYPE-1)	1	
	87115-KVH-870ZB	STRIPE R, SIDE COVER(TYPE-2)	1	
	87115-KVH-870ZC	STRIPE R, SIDE COVER(TYPE-3)	1	
	87115-KVH-870ZE	STRIPE R, SIDE COVER(TYPE-4)	1	
	87115-KVH-870ZF	STRIPE R, SIDE COVER(TYPE-5)	1	

SPECIFIED COLOUR CHART FOR STRIPE RIGHT SIDE COVER					
SPECIFIED COLOUR TYPE	C	D	E	G	MAIN BODY COLOUR
1	NH-411M FORCE SILVE METALLIC	R-321 SPORTS RED	NH-1 BLACK	NH-138 SHASHTA WHITE	BLACK (NH-1) TYPE-1
2	NH-411M FORCE SILVE METALLIC	ENDURANCE VIOLET	NH-1 BLACK	NH-138 SHASHTA WHITE	BLACK (NH-1) TYPE-2
3	NH-411M FORCE SILVE METALLIC	REDDISH GRAY METALLIC	NH-1 BLACK	NH-138 SHASHTA WHITE	BLACK (NH-1) TYPE-3
4	NH-411M FORCE SILVE METALLIC	REDDISH SILVER	NH-1 BLACK	REDDISH SILVER METALLIC	FORCE SILVER ME. (NH-411M)
5	NH-411M FORCE SILVE METALLIC	NH-1 BLACK	NH-1 BLACK	NH-138 SHASHTA WHITE	VIBRANT BLUE ME. (PB-374M)
5	NH-411M FORCE SILVE METALLIC	NH-1 BLACK	NH-1 BLACK	NH-138 SHASHTA WHITE	CANDY BLAZING RED (R-195C)

F-27-SELF
STRIPES/ MARKS



Service Item

F.R.T.

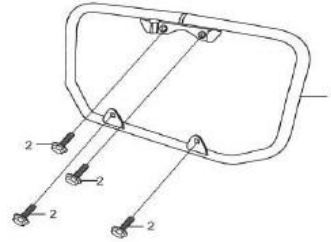
BOM Of Group Number: F-27-SELF Model :: Splendor NXG (Sep, 2008)

Ref No.	Part Number	Description	Req.
15	87116-KVH-870ZA	STRIPE L, SIDE COVER(TYPE-1)	1
	87116-KVH-870ZB	STRIPE L, SIDE COVER(TYPE-2)	1
	87116-KVH-870ZC	STRIPE L, SIDE COVER(TYPE-3)	1
	87116-KVH-870ZE	STRIPE L, SIDE COVER(TYPE-4)	1
	87116-KVH-870ZF	STRIPE L, SIDE COVER(TYPE-5)	1

SPECIFIED COLOUR CHART FOR STRIPE RIGHT SIDE COVER

SPECIFIED COLOUR TYPE	C	D	E	MAIN BODY COLOUR
1	NH-411M FORCE SILVER ME.	R-32 SPORTS RED	NH-1 BLACK	BLACK (NH-1) TYPE-1
2	NH-411M FORCE SILVER ME.	ENDURANCE VIOLET	NH-1 BLACK	BLACK (NH-1) TYPE-2
3	NH-411M FORCE SILVER ME.	REDDISH GRAY ME.	NH-1 BLACK	BLACK (NH-1) TYPE-3
4	NH-262M TERRA SILVER ME.	REDDISH SILVER ME.	NH-1 BLACK	FORCE SILVER ME. (NH-411M)
5	NH-411M FORCE SILVER ME.	NH-1 BLACK	NH-1 BLACK	VIBRANT BLUE ME. (PB-374M)
5	NH-411M FORCE SILVER ME.	NH-1 BLACK	NH-1 BLACK	CANDY BLAZING RED (R-195C)

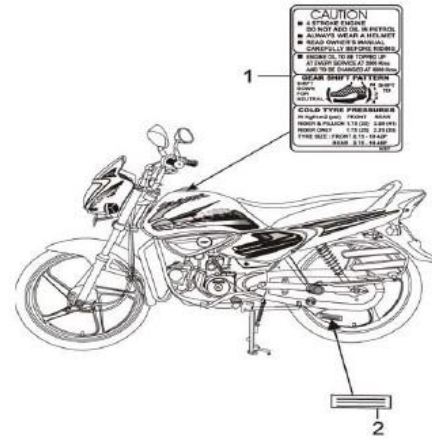
F-28
 GUARD ENGINE ACCESSORIES (OPTIONAL)



FR.

Service Item	F.R.T.	BOM Of Group Number: F-28 Model :: Splendor NXG (Sep, 2008)			
Ref No.	Part Number	Description	Req.		
GUARD, ENGINE	--				
1	50803-KST-940	GUARD ENGINE	1		
2	95701-08016-00	BOLT, FLANGE, 8X16	4		

F-30
MARK CAUTION



FR.

Service Item

F.R.T.

BOM Of Group Number: F-30 Model :: Splendor NXG (Sep, 2008)

Ref No.	Part Number	Description	Req.
1	87501-KST-940	MARK, CAUTION	1
2	87506-KVH-870	MARK, BATTERY CAUTION	1
3	87507-MZ8-W00	LABEL, CHAIN DRIVE	1

PARTS INDEX

PART NO	BLOCK
11100-KWA-900	E-8-KICK
11100-KWA-900	E-8-SELF
11191-KRS-C10	E-8-KICK
11191-KRS-C10	E-8-SELF
11200-KVH-950	E-8-KICK
11200-KWA-940	E-8-SELF
11321-KST-940	E-7-KICK
11321-KWA-940	E-7B-SELF
11330-KWA-930	E-5
11341-KWA-930	E-7-KICK
11341-KWA-941	E-7A-SELF
11360-KWA-930	E-7-KICK
11360-KWA-930	E-7A-SELF
11394-GW8-681	E-5
11395-GBJ-731	E-7A-SELF
12101-KST-940	E-2
12191-KRS-C10	E-2
12200-KVH-950	E-2
12209-GB4-685	E-3
12237-GB4-305	E-2
12245-GB4-305	E-2
12251-KST-942	E-2
12301-KWA-900	E-1
12331-KVH-950	E-1
12341-KWA-900	E-1
12361-035-000	E-1
12391-KRS-C10	E-1
12394-KRS-C10	E-1
12395-KRS-C10	E-1
13000-KWA-940	E-9
13011-198-771	E-9
13012-198-771	E-9
13013-198-771	E-9
13014-198-771	E-9
13015-198-771	E-9
13101-GN5-910	E-9
13102-GN5-325L	E-9
13103-GN5-325L	E-9
13104-GN5-325	E-9
13104-GN5-325L	E-9
13105-GN5-325L	E-9
13111-087-000	E-9
13115-001-000	E-9

PART NO	BLOCK
13201-GF6-300	E-9
13381-KCC-900L	E-9
14100-KST-941	E-3
14311-035-000	E-9
14321-GB6-900	E-4
14401-178-000	E-4
14430-KST-940	E-3
14451-KST-940	E-3
14500-035-020	E-4
14502-086-000R	E-4
14531-035-000	E-4
14541-GB4-680	E-4
14550-GB0-910R	E-4
14566-086-030	E-4
14610-086-000R	E-4
14615-035-000	E-4
14670-035-030L	E-4
14675-178-000	E-4
14711-GN5-910L	E-3
14721-GF6-010L	E-3
14751-GBG-900	E-3
14761-GBG-900	E-3
14771-GB4-680	E-3
14775-MA6-000	E-3
14781-MA6-000	E-3
15100-KCC-900	E-8-KICK
15100-KCC-900	E-8-SELF
15119-178-000	E-8-KICK
15119-178-000	E-8-SELF
15384-178-000	E-8-KICK
15384-178-000	E-8-SELF
15421-035-010	E-8-KICK
15421-035-010	E-8-SELF
15431-198-000	E-6
15439-198-691	E-6
15441-198-000	E-6
15650-KWA-930	E-5
15661-198-000	E-6
16010-KVH-851	E-13
16011-198-901A	E-13
16012-KST-941	E-13
16013-KRB-901	E-13
16014-KST-941	E-13

PART NO	BLOCK
16015-KVW-921	E-13
16016-KST-901	E-13
16022-KST-941A	E-13
16028-KST-941	E-13
16100-KVH-851	E-13
16118-KST-901	E-13
16148-KPL-901	E-13
16155-KST-901	E-13
16165-KST-901	E-13
16173-001-000	F-13
16198-KST-901	E-13
16199-KST-901	E-13
16211-459-750	E-1
16236-045-010	E-8-KICK
16236-045-010	E-8-SELF
16950-KVH-900	F-13
16952-KVH-900	F-13
16955-KVH-900	F-13
16959-HB3-000	F-13
16967-GA6-671	F-13
17111-198-900	E-1
17210-KST-940	F-15-KICK
17210-KVH-870	F-15-SELF
17211-KCC-900L	F-15-KICK
17211-KCC-900L	F-15-SELF
17212-KCC-900	F-15-KICK
17212-KCC-900	F-15-SELF
17212-KCC-902	F-15-KICK
17212-KCC-902	F-15-SELF
17213-KCC-900L	F-15-KICK
17213-KCC-900L	F-15-SELF
17217-KST-940	F-15-KICK
17217-KST-940	F-15-SELF
17218-KCC-940	F-15-KICK
17218-KCC-940	F-15-SELF
17219-KCC-940	F-15-KICK
17219-KCC-940	F-15-SELF
17222-KCC-902	F-15-KICK
17222-KCC-902	F-15-SELF
17222-KCC-940	F-15-KICK
17222-KCC-940	F-15-SELF
17223-KVH-870	F-15-SELF
17224-KVH-870	F-15-KICK

PART NO	BLOCK
17521-KVH-950ZB	F-27-KICK
17521-KVH-950ZC	F-27-SELF
17521-KVH-950ZC	F-27-KICK
17521-KVH-950ZE	F-27-SELF
17521-KVH-950ZE	F-27-KICK
17521-KVH-950ZF	F-27-SELF
17521-KVH-950ZF	F-27-KICK
17522-KVH-950ZA	F-27-SELF
17522-KVH-950ZA	F-27-KICK
17522-KVH-950ZB	F-27-SELF
17522-KVH-950ZB	F-27-KICK
17522-KVH-950ZC	F-27-SELF
17522-KVH-950ZC	F-27-KICK
17522-KVH-950ZE	F-27-SELF
17522-KVH-950ZE	F-27-KICK
17522-KVH-950ZF	F-27-SELF
17522-KVH-950ZF	F-27-KICK
17611-KRM-860	F-13
17613-KCC-900	F-13
17620-KST-961	F-13
17681-KVH-900	F-13
17910-KVH-850	F-3-KICK-SPOKE
17910-KVH-850	F-3-KICK-CAST
17910-KVH-850	F-3-SELF-SPOKE
17910-KVH-850	F-3-SELF-CAST
18241-KCC-900	F-16
18291-KTC-900	F-16
18292-KTC-900	F-16
18293-KPK-900	F-16
18300-198-770A	F-16
18317-KVH-900	F-16
18345-MBT-610	F-16
18350-KVH-900	F-16
22110-KST-940	E-6
22121-198-900	E-6
22201-GF6-000	E-6
22311-107-000	E-6
22350-115-020	E-6
22361-KST-940	E-6
22401-GF6-000	E-6
22810-198-000	E-5
22815-166-000	E-5
22847-166-000	E-6

PART NO	BLOCK
22870-KVH-900A	F-3-KICK-SPOKE
22870-KVH-900A	F-3-KICK-CAST
22870-KVH-900A	F-3-SELF-SPOKE
22870-KVH-900A	F-3-SELF-CAST
22871-116-670	F-3-KICK-SPOKE
22871-116-670	F-3-KICK-CAST
22871-116-670	F-3-SELF-SPOKE
22871-116-670	F-3-SELF-CAST
23112-198-010	E-6
23121-KST-901	E-6
23211-KST-940	E-10
23216-GF6-000	E-6
23217-GF6-000L	E-6
23221-GF6-000	E-10
23421-KST-940	E-10
23422-GB4-770	F-27-SELF
23431-GN5-910	E-10
23441-GB4-770	E-10
23451-KST-940	E-10
23461-KST-940	E-10
23471-GF6-000	E-10
23481-GF6-000	E-10
23801-178-000	E-10
23802-040-000	E-10
24211-GF6-000R	E-12
24261-121-742	E-12
24263-028-000	E-12
24301-198-900	E-12
24411-198-900	E-12
24421-200-000	E-12
24425-198-900	E-12
24430-KST-900	E-12
24435-GB4-770	E-12
24610-KST-940	E-12
24639-035-000L	E-12
24641-041-000	E-12
24651-035-000L	E-12
24652-035-000	E-12
24701-KST-940	F-17
28101-KWA-940	E-7B-SELF
28102-KWA-940	E-7B-SELF
28103-GB4-700	E-7B-SELF
28110-KWA-940	E-7B-SELF

PART NO	BLOCK
28117-KFL-850	E-7B-SELF
28120-KWA-941	E-7B-SELF
28211-KST-940	E-11
28221-KST-940	E-11
28251-GF6-000	E-11
28253-397-000	E-11
28254-198-000	E-11
28256-198-000	E-11
28261-198-000	E-11
28262-198-000	E-11
28293-KAG-900	F-17
28302-KWA-940	F-17
2830A-KVH-850	F-17
28321-KTC-900	F-17
28333-124-000	F-17
30401-KVE-901	F-24-KICK
30401-KVE-901	F-24-SELF
30410-KVH-901	F-24-KICK
30410-KVH-901	F-24-SELF
30500-KST-940	F-24-KICK
30500-KST-940	F-24-SELF
30604-KJ9-000	F-24-KICK
30604-KJ9-000	F-24-SELF
30605-KM1-000	F-24-KICK
30605-KM1-000	F-24-SELF
30700-KM1-020	F-24-KICK
30700-KM1-020	F-24-SELF
31100-KVH-850	E-7-KICK
31100-KVH-871	E-7A-SELF
31110-KVH-871	E-7A-SELF
31110-KVH-901	E-7-KICK
31120-KVH-850	E-7-KICK
31120-KVH-871	E-7A-SELF
31201-KG8-004	E-7C-SELF
31202-GB2-700L	E-7C-SELF
31204-KG8-004	E-7C-SELF
31205-KWA-941	E-7C-SELF
31208-KWA-941	E-7C-SELF
31210-KWA-941	E-7C-SELF
31211-KWA-941	E-7C-SELF
31213-GB4-701L	E-7C-SELF
31500-GBG-850	F-24-SELF
31500-KC5-000	F-24-KICK

PART NO	BLOCK
33619-459-840	F-16
33653-KTR-901	F-22
3365A-KVH-900	F-22
33665-KVH-900	F-22
33703-KVH-900	F-23
33704-KVH-900	F-23
33706-KVH-900	F-1
33709-KVH-900	F-23
3370A-KVH-901	F-23
33714-KL3-620	F-21
33714-KL3-620	F-25-KICK
33714-KL3-620	F-25-SELF
33741-KST-920	F-21
34901-KSP-910	F-1
34904-KVH-900	F-22
34906-447-710	F-23
34908-GA7-700	F-1
34908-KVE-900	F-2
34909-KVE-900	F-2
36010-KVH-850	F-2
35100-KVH-850	F-2
35121-KVH-850	F-2
35122-KVH-850	F-2
35150-KTC-920	F-3-SELF-SPOKE
35150-KTC-920	F-3-SELF-CAST
35200-KVH-870	F-3-SELF-SPOKE
35200-KVH-870	F-3-SELF-CAST
35200-KVH-900	F-3-KICK-SPOKE
35200-KVH-900	F-3-KICK-CAST
35305-KE5-001	F-2
35305-KE5-002	F-2
35330-413-000	F-3-SELF-SPOKE
35330-413-000	F-3-SELF-CAST
35340-KST-950	F-3-KICK-SPOKE
35340-KST-950	F-3-KICK-CAST
35340-KST-950	F-3-SELF-SPOKE
35340-KST-950	F-3-SELF-CAST
35350-KVH-870A	F-18-KICK
35350-KWA-940	F-18-SELF
35357-KST-940	F-18-KICK
35357-KST-940	F-18-SELF
35400-KVH-870	F-24-SELF
35750-001-000	E-12

PART NO	BLOCK
35753-035-010	E-12
35755-001-000	E-12
37100-KVH-870	F-2
37200-KVH-870	F-2
37211-KVH-901	F-2
37212-KVH-901	F-2
37215-MB6-830	F-2
37223-KVH-901	F-2
37243-323-000	F-17
37300-KVH-870	F-2
37312-KTE-910	F-2
37800-KVH-870	F-13
38110-KTC-900	F-25-KICK
38110-KTC-900	F-25-SELF
38117-KFE-701	F-25-KICK
38117-KFE-701	F-25-SELF
38301-KWA-931	F-24-KICK
38301-KWA-931	F-24-SELF
38306-GE7-000	F-24-KICK
38306-GE7-000	F-24-SELF
38501-KTP-890	F-24-SELF
38502-KSP-910	F-24-KICK
38502-KSP-910	F-24-SELF
38506-KSP-910	F-24-SELF
40510-KST-940ZZ	F-19
40520-KST-940ZZ	F-19
40530-KST-940	F-19
40531-KTE-912	F-19
40543-198-900	F-10-CAST
40543-198-900	F-10-SPOKE
40544-198-900	F-11-CAST
40544-198-900	F-11-SPOKE
40545-001-000	F-19
41201-KST-940	F-11-CAST
41201-KST-940	F-11-SPOKE
41241-KST-941	F-11-CAST
41241-KST-941	F-11-SPOKE
42301-KST-940	F-11-CAST
42301-KST-940	F-11-SPOKE
42303-KST-940	F-11-CAST
42303-KST-940	F-11-SPOKE
42304-198-900	F-11-CAST
42304-198-900	F-11-SPOKE

PART NO	BLOCK
42313-198-900	F-10-CAST
42313-198-900	F-10-SPOKE
42601-KST-940	F-11-SPOKE
42601-KVH-920Z	F-11-CAST
42603-198-900	F-11-SPOKE
42603-198-900	F-9-SPOKE
42611-KST-940	F-11-CAST
42611-KST-940	F-11-SPOKE
42615-198-900	F-11-CAST
42615-198-900	F-11-SPOKE
42620-198-900	F-11-SPOKE
42620-GB6-920	F-11-CAST
42653-001-000	F-11-CAST
42653-001-000	F-11-SPOKE
42711-KST-952	F-11-CAST
42711-KST-952	F-11-SPOKE
42712-KCS-920	F-11-CAST
42712-KCS-920	F-11-SPOKE
42712-KCS-920	F-9-CAST
42712-KCS-920	F-9-SPOKE
42713-198-900	F-11-SPOKE
42713-198-900	F-9-SPOKE
43100-153-600	F-10-SPOKE
43100-153-600Z	F-10-CAST
43125-KRP-981	F-8-CAST
43125-KRP-981	F-8-SPOKE
43125-KST-940	F-10-CAST
43125-KST-940	F-10-SPOKE
43125-KTN-701	F-8-CAST
43125-KTN-701	F-8-SPOKE
43141-KST-920	F-10-CAST
43141-KST-920	F-10-SPOKE
43145-GC5-000	F-10-CAST
43145-GC5-000	F-10-SPOKE
43151-110-000	F-10-CAST
43151-110-000	F-10-SPOKE
43410-KST-940	F-10-CAST
43410-KST-940	F-10-SPOKE
43431-KST-940	F-19
43434-286-000	F-10-CAST
43434-286-000	F-10-SPOKE
43451-KCC-600	F-18-KICK
43451-KCC-600	F-18-SELF

PART NO	BLOCK
46500-KST-940	F-18-KICK
46500-KST-940	F-18-SELF
46514-KCC-900	F-18-KICK
46514-KCC-900	F-18-SELF
46515-KB9-000	F-18-KICK
46515-KB9-000	F-18-SELF
50100-KVH-850	F-25-KICK
50100-KVH-870	F-25-SELF
50160-KCC-900	F-17
50211-KST-920	F-25-KICK
50211-KST-920	F-25-SELF
50301-KTR-900	F-5
50400-KVH-901Z	F-12
50500-KST-940	F-18-KICK
50500-KST-940	F-18-SELF
50505-KCC-900	F-16
50512-KTC-900	F-18-KICK
50512-KTC-900	F-18-SELF
50530-KST-940	F-17
50603-KB4-000	F-17
50614-413-000	F-17
50618-KCC-000	F-17
50619-425-010	F-17
50619-KCC-000	F-17
50661-425-670	F-17
50701-KWA-940	F-17
50702-KST-940	F-17
50702-KST-940A	F-17
50705-KST-940	F-17
50711-198-720	F-17
50712-405-000	F-17
50715-405-000	F-17
50720-KVH-A01	F-25-KICK
50720-KVH-A01	F-25-SELF
50803-KST-940	F-28
51103-KVH-900	F-29
51104-KVH-900	F-29
51106-KCC-900	F-29
51400-KST-941	F-7
51401-KST-941	F-7
51403-447-730	F-7
51403-KCC-900	F-7
51410-KTC-901	F-7

PART NO	BLOCK
51412-KAG-900	F-7
51420-KTC-901	F-7
51425-KST-901	F-7
51432-KST-901	F-7
51437-KTC-901	F-7
51440-KTR-901	F-7
51500-KST-941	F-7
51520-KTC-901	F-7
52101-KST-940	F-19
52110-KST-940	F-19
52147-KTC-900	F-19
52170-KST-940	F-19
52400-KVH-902	F-20
52410-KTC-901	F-20
52486-056-000	F-20
52486-KAG-900	F-20
52489-399-600	F-20
52495-098-000	F-20
63100-KVH-870	F-4
53131-KVH-850	F-4
53132-124-000	F-4
53133-198-900	F-4
53134-028-000	F-4
53135-198-900	F-4
53136-198-900	F-4
53140-KST-940	F-3-KICK-SPOKE
53140-KST-940	F-3-KICK-CAST
53140-KST-940	F-3-SELF-SPOKE
53140-KST-940	F-3-SELF-CAST
53166-KTC-900	F-3-KICK-SPOKE
53166-KTC-900	F-3-KICK-CAST
53166-KTC-900	F-3-SELF-SPOKE
53166-KTC-900	F-3-SELF-CAST
53167-GE4-000	F-3-KICK-SPOKE
53167-GE4-000	F-3-KICK-CAST
53168-166-000	F-3-KICK-SPOKE
53168-166-000	F-3-KICK-CAST
53168-166-000	F-3-SELF-SPOKE
53168-166-000	F-3-SELF-CAST
53171-KCC-900	F-3-KICK-SPOKE
53171-KCC-900	F-3-SELF-SPOKE
53172-KCC-900	F-3-KICK-SPOKE
53172-KCC-900	F-3-SELF-SPOKE

PART NO	BLOCK
53172-KTC-900	F-3-KICK-SPOKE
53172-KTC-900	F-3-KICK-CAST
53172-KTC-920	F-3-SELF-SPOKE
53172-KTC-920	F-3-SELF-CAST
53173-KTC-920	F-3-KICK-SPOKE
53173-KTC-920	F-3-KICK-CAST
53173-KTC-920	F-3-SELF-SPOKE
53173-KTC-920	F-3-SELF-CAST
53175-KVH-850	F-3-KICK-SPOKE
53175-KVH-850	F-3-KICK-CAST
53175-KVH-850	F-3-SELF-SPOKE
53175-KVH-850	F-3-SELF-CAST
53178-KVH-850	F-3-KICK-SPOKE
53178-KVH-850	F-3-KICK-CAST
53178-KVH-850	F-3-SELF-SPOKE
53178-KVH-850	F-3-SELF-CAST
53200-KST-950	F-5
53209-GAH-000	F-1
53211-268-010	F-5
53212-200-000	F-5
53214-200-000	F-5
53215-KTR-900	F-5
53221-KTR-900	F-5
53222-KTR-900	F-5
53230-KST-950	F-4
61100-KST-940ZA	F-6
61100-KST-940ZD	F-6
61100-KVH-900ZE	F-6
61100-KVH-900ZF	F-6
61103-KST-940	F-6
61104-KST-940	F-6
61105-KTC-900	F-1
61300-KVH-950ZA	F-1
61300-KVH-950ZB	F-1
61300-KVH-950ZC	F-1
61300-KVH-950ZE	F-1
61300-KVH-950ZF	F-1
61300-KVH-950ZG	F-1
61305-KVH-900ZA	F-27-SELF
61305-KVH-900ZA	F-27-KICK
61305-KVH-900ZE	F-27-SELF
61305-KVH-900ZE	F-27-KICK
61311-KVH-900	F-1

PART NO	BLOCK
77216-KVH-950ZF	F-27-SELF
77216-KVH-950ZF	F-27-KICK
77226-KVH-950ZA	F-27-SELF
77226-KVH-950ZA	F-27-KICK
77226-KVH-950ZB	F-27-SELF
77226-KVH-950ZB	F-27-KICK
77226-KVH-950ZC	F-27-SELF
77226-KVH-950ZC	F-27-KICK
77226-KVH-950ZE	F-27-SELF
77226-KVH-950ZE	F-27-KICK
77226-KVH-950ZF	F-27-SELF
77226-KVH-950ZF	F-27-KICK
77230-KVH-900ZA	F-12
77230-KVH-900ZD	F-12
77230-KVH-900ZE	F-12
77230-KVH-900ZF	F-12
77230-KVH-900ZG	F-12
77236-KVH-900	F-12
77240-KVH-900ZA	F-27-SELF
77240-KVH-900ZA	F-27-KICK
77240-KVH-900ZE	F-27-SELF
77240-KVH-900ZE	F-27-KICK
77245-KVH-900	F-23
77247-KCC-770	F-1
77247-KVH-900	F-23
77248-KVH-900	F-23
80100-KVH-850	F-21
80101-443-000	F-1
80102-KVH-900	F-21
80123-KCC-870	F-25-KICK
80123-KCC-870	F-25-SELF
80151-KVH-900	F-21
83300-KVH-870ZA	F-14-SELF
83300-KVH-870ZB	F-14-SELF
83300-KVH-870ZC	F-14-SELF
83300-KVH-870ZE	F-14-SELF
83300-KVH-870ZF	F-14-SELF
83300-KVH-870ZG	F-14-SELF
83300-KVH-950ZA	F-14-KICK
83300-KVH-950ZB	F-14-KICK
83300-KVH-950ZC	F-14-KICK
83300-KVH-950ZE	F-14-KICK
83300-KVH-950ZF	F-14-KICK

PART NO	BLOCK
83300-KVH-950ZG	F-14-KICK
83400-KVH-870ZA	F-14-SELF
83400-KVH-870ZB	F-14-SELF
83400-KVH-870ZC	F-14-SELF
83400-KVH-870ZE	F-14-SELF
83400-KVH-870ZF	F-14-SELF
83400-KVH-870ZG	F-14-SELF
83400-KVH-950ZA	F-14-KICK
83400-KVH-950ZB	F-14-KICK
83400-KVH-950ZC	F-14-KICK
83400-KVH-950ZE	F-14-KICK
83400-KVH-950ZF	F-14-KICK
83400-KVH-950ZG	F-14-KICK
83406-KVH-950ZA	F-27-SELF
83406-KVH-950ZA	F-27-KICK
83406-KVH-950ZB	F-27-SELF
83406-KVH-950ZB	F-27-KICK
83406-KVH-950ZC	F-27-SELF
83406-KVH-950ZC	F-27-KICK
83406-KVH-950ZE	F-27-SELF
83406-KVH-950ZE	F-27-KICK
83406-KVH-950ZF	F-27-SELF
83406-KVH-950ZF	F-27-KICK
83407-KVH-950ZA	F-27-KICK
83407-KVH-950ZA	F-27-SELF
83407-KVH-950ZB	F-27-KICK
83407-KVH-950ZB	F-27-SELF
83407-KVH-950ZC	F-27-KICK
83407-KVH-950ZC	F-27-SELF
83407-KVH-950ZE	F-27-KICK
83407-KVH-950ZE	F-27-SELF
83407-KVH-950ZF	F-27-KICK
83407-KVH-950ZF	F-27-SELF
83408-KVH-950ZA	F-27-KICK
83408-KVH-950ZA	F-27-SELF
83408-KVH-950ZB	F-27-KICK
83408-KVH-950ZB	F-27-SELF
83408-KVH-950ZC	F-27-SELF
83408-KVH-950ZC	F-27-KICK
83408-KVH-950ZE	F-27-SELF
83408-KVH-950ZE	F-27-KICK
83408-KVH-950ZF	F-27-KICK
83408-KVH-950ZF	F-27-SELF

PART NO	BLOCK
83409-KVH-950ZA	F-27-KICK
83409-KVH-950ZA	F-27-SELF
83409-KVH-950ZB	F-27-KICK
83409-KVH-950ZB	F-27-SELF
83409-KVH-950ZC	F-27-KICK
83409-KVH-950ZC	F-27-SELF
83409-KVH-950ZE	F-27-KICK
83409-KVH-950ZE	F-27-SELF
83409-KVH-950ZF	F-27-KICK
83409-KVH-950ZF	F-27-SELF
83512-KVH-900	F-14-KICK
83512-KVH-900	F-14-SELF
83514-KVH-900	F-25-KICK
83514-KVH-900	F-25-SELF
83515-KVH-900	F-25-KICK
83515-KVH-900	F-25-SELF
83516-KCC-900	F-25-KICK
83516-KCC-900	F-25-SELF
83516-KVH-900	F-25-KICK
83516-KVH-900	F-25-SELF
83517-KVH-900	F-25-KICK
83517-KVH-900	F-25-SELF
83518-KVH-900	F-25-SELF
83518-KVH-900	F-25-KICK
83519-KVH-900	F-25-SELF
83519-KVH-900	F-25-KICK
83550-KVH-900	F-25-SELF
83550-KVH-900	F-14-SELF
83550-KVH-900	F-14-KICK
83551-300-000	F-13
83551-KVH-900	F-12
84701-KCC-860	F-21
84701-P26-D00A	F-21
87115-KVH-870ZA	F-27-SELF
87115-KVH-870ZB	F-27-SELF
87115-KVH-870ZC	F-27-SELF
87115-KVH-870ZE	F-27-SELF
87115-KVH-870ZF	F-27-SELF
87115-KVH-950ZA	F-27-KICK
87115-KVH-950ZB	F-27-KICK
87115-KVH-950ZC	F-27-KICK
87115-KVH-950ZE	F-27-KICK

PART NO	BLOCK
90083-KVH-900	E-7-KICK
90083-KVH-900	E-7A-SELF
90084-KWA-930	E-7-KICK
90084-KWA-930	E-7A-SELF
90085-KWA-940	E-7B-SELF
90087-KWA-930	E-7-KICK
90087-KWA-930	E-7A-SELF
90103-KVH-900	F-1
90107-GZ4-670	F-2
90107-KST-940	F-16
90108-223-000	F-17
90109-MZ5-008	F-2
90111-187-000	F-15-KICK
90111-187-000	F-15-SELF
90111-187-000	F-21
90111-187-000	F-25-KICK
90111-187-000	F-25-SELF
90113-KVH-900	F-14-SELF
90113-KVH-900	F-14-KICK
90114-310-000	F-3-KICK-SPOKE
90114-310-000	F-3-KICK-CAST
90114-310-000	F-3-SELF-SPOKE
90114-310-000	F-3-SELF-CAST
90116-KAG-900	F-7
90116-KCC-900	F-25-KICK
90116-KCC-900	F-25-SELF
90117-KCC-900	F-25-KICK
90117-KCC-900	F-25-SELF
90118-383-000	F-19
90123-KRM-860	F-7
90123-KST-941	F-7
90133-331-770	F-19
90183-KTC-900	F-19
90201-GF6-000R	E-1
90201-KST-900	F-3-KICK-SPOKE
90201-KST-900	F-3-KICK-CAST
90201-KST-900	F-3-SELF-SPOKE
90201-KST-900	F-3-SELF-CAST
90202-329-000	F-20
90206-001-000	E-3
90231-087-000	E-6
90231-198-000	E-6
90302-KBP-900	F-10-CAST

PART NO	BLOCK
90302-KBP-900	F-10-SPOKE
90302-KBP-900	F-11-CAST
90302-KBP-900	F-11-SPOKE
90302-KST-942	F-10-CAST
90302-KST-942	F-10-SPOKE
90304-438-000	F-16
90304-KSP-900	F-4
90304-KST-942	F-4
90304-KTE-911	F-4
90306-KST-942	F-17
90306-KST-942	F-10-CAST
90306-KST-942	F-10-SPOKE
90306-KST-942	F-9-CAST
90306-KST-942	F-9-SPOKE
90306-KTE-911	F-10-CAST
90306-KTE-911	F-10-SPOKE
90306-KTE-911	F-9-CAST
90306-KTE-911	F-9-SPOKE
90307-001-000	F-11-CAST
90307-001-000	F-11-SPOKE
90307-GJ6-000	F-1
90309-357-000	F-11-CAST
90309-357-000	F-11-SPOKE
90311-KVH-900	F-1
90311-MT3-000	F-15-SELF
90320-GC3-000	F-21
90320-GC3-000	F-12
90324-KCC-870	F-13
90325-KCC-900	F-13
90380-MB2-000	F-22
90407-259-000	E-8-KICK
90407-259-000	E-8-SELF
90410-HC4-000	E-7-KICK
90410-HC4-000	E-7A-SELF
90417-041-000	E-12
90432-086-000	E-6
90441-035-000	E-4
90442-GF6-000	E-1
90443-GF6-000	E-1
90451-198-000	E-10
90451-GF6-000	E-10
90452-115-000	E-11
90452-GB4-770	E-10

PART NO	BLOCK
90454-107-000	E-11
90461-035-000	E-10
90461-357-000	E-1
90461-357-000	E-4
90461-459-000	E-10
90461-GB4-770	E-10
90461-GF6-000	E-6
90481-035-000	E-4
90501-MC4-000	F-21
90502-198-900	F-18-KICK
90502-198-900	F-18-SELF
90503-KTR-900	F-4
90505-425-000	F-10-CAST
90505-425-000	F-10-SPOKE
90521-292-000	F-7
90544-439-930	F-7
90551-KTE-910	F-20
90601-001-000	E-10
90601-459-000	E-10
90601-459-000	E-11
90601-GF5-730	F-7
90701-GF6-000	E-2
90702-GB6-910	E-4
90702-GB6-910	E-5
90702-GB6-910	E-7-KICK
90702-GB6-910	E-7A-SELF
90703-HC4-000	E-8-KICK
90703-HC4-000	E-8-SELF
90741-KFB-000	E-9
90753-029-000	F-11-CAST
90753-029-000	F-11-SPOKE
90801-035-000	E-12
91001-GF6-000	E-9
91101-GF6-000R	E-9
91102-GF6-000R	E-9
91103-GF6-000R	E-9
91201-GBG-900	E-7B-SELF
91202-302-010	E-5
91202-GEO-005	E-7-KICK
91203-GB5-760	E-10
91204-GBG-850	E-7B-SELF
91205-350-000	E-6
91208-KB4-670	E-12

PART NO	BLOCK
92101-06032-0A	F-17
92800-12000-00	E-8-KICK
92800-12000-00	E-8-SELF
92811-10000	F-10-CAST
92811-10000	F-10-SPOKE
93500-04025-0G	F-13
93500-05010-1A	F-1
93500-05010-1A	F-16
93500-05012-0A	F-15-KICK
93500-05012-0A	F-15-SELF
93500-05020-0G	F-25-KICK
93500-05020-0G	F-25-SELF
93500-05020-0G	F-3-KICK-SPOKE
93500-05020-0G	F-3-KICK-CAST
93500-05020-0G	F-3-SELF-SPOKE
93500-05020-0G	F-3-SELF-CAST
93500-05022-1G	F-3-KICK-SPOKE
93500-05022-1G	F-3-KICK-CAST
93500-05022-1G	F-3-SELF-SPOKE
93500-05022-1G	F-3-SELF-CAST
93600-05012-1H	E-6
93600-06016-0A	E-7-KICK
93600-06016-0A	E-7B-SELF
93892-04006-08L	E-7C-SELF
93892-04014-08	E-13
93892-05030-08L	E-7C-SELF
93901-04012-00	F-1
93901-22310	F-22
93901-24480	F-23
93903-22420	F-2
93903-25120	F-15-SELF
93903-34220	F-21
93903-34380	F-1
93903-34480	F-22
93903-35280	F-12
94001-06000-0S	F-10-CAST
94001-06000-0S	F-10-SPOKE
94001-06000-0S	F-11-CAST
94001-06000-0S	F-11-SPOKE
94001-06070-0S	F-2
94001-08000-0S	F-10-CAST
94001-08000-0S	F-10-SPOKE
94001-08000-0S	F-19

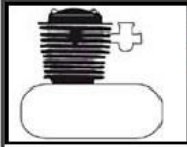
PART NO	BLOCK
94002-06000-0S	F-21
94030-08000	F-25-KICK
94030-08000	F-25-SELF
94030-10000	F-17
94050-05000	F-17
94050-06000	F-21
94050-06000	F-23
94050-06000	F-8-CAST
94050-06000	F-8-SPOKE
94050-06000	F-3-KICK-SPOKE
94050-06000	F-3-KICK-CAST
94050-06000	F-3-SELF-SPOKE
94050-06000	F-3-SELF-CAST
94050-06000	F-13
94050-10000	F-20
94050-10000	F-22
94050-10000	E-7-KICK
94050-10000	E-7A-SELF
94101-05000	F-15-KICK
94101-05000	F-15-SELF
94101-05000	F-1
94101-06000	F-17
94101-06000	F-21
94101-06000	F-10-CAST
94101-06000	F-10-SPOKE
94101-06000	F-11-CAST
94101-06000	F-11-SPOKE
94101-08000	F-17
94101-08000	F-19
94101-12800	F-20
94103-06000	F-1
94103-06700	F-2
94111-05000	F-16
94111-08000	F-25-KICK
94111-08000	F-25-SELF
94111-10000	F-19
94201-16120	F-17
94201-16150	F-17
94201-20150	F-18-KICK
94201-20150	F-18-SELF
94201-20150	F-10-CAST
94201-20150	F-10-SPOKE
94201-20150	F-19

PART NO	BLOCK
94201-30250	F-18-KICK
94201-30250	F-18-SELF
94510-12000	E-7C-SELF
94510-16000	E-11
94591-27000	F-21
94591-45000	F-2
95002-02100	E-8-KICK
95002-02100	E-8-SELF
95002-02100	F-13
95002-02130	F-15-KICK
95002-02130	F-15-SELF
95002-02659	E-13
95002-70000	F-13
95002-80000	E-8-KICK
95002-80000	E-8-SELF
95011-51000	F-17
95014-71702	F-18-KICK
95014-71702	F-18-SELF
95014-72302	F-17
95014-73100	F-18-KICK
95014-73100	F-18-SELF
95015-32001	F-18-KICK
95015-32001	F-18-SELF
95015-32001	F-8-CAST
95015-32001	F-8-SPOKE
95015-42000	F-18-KICK
95015-42000	F-18-SELF
95015-42000	F-8-CAST
95015-42000	F-8-SPOKE
95015-53000	F-18-KICK
95015-53000	F-18-SELF
95015-81000	F-17
95018-46250	F-15-KICK
95018-46250	F-15-SELF
95701-06012-08	F-15-KICK
95701-06014-18	F-24-KICK
95701-06014-18	F-24-SELF
95701-06016-08	F-15-SELF
95701-06016-08	F-21
95701-06020-00	F-17
95701-06020-00	E-11
95701-06020-07	F-25-KICK
95701-06020-07	F-25-SELF

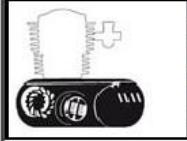
PART NO	BLOCK
96001-06045-00	E-7C-SELF
96001-06050-00	E-7A-SELF
96001-06050-00	E-8-KICK
96001-06050-00	E-8-SELF
96001-06060-00	E-7-KICK
96001-06060-00	E-8-KICK
96001-06060-00	E-8-SELF
96001-06065-00	E-5
96001-06065-00	E-8-KICK
96001-06065-00	E-8-SELF
96001-06070-00	E-7-KICK
96001-06070-00	E-7A-SELF
96001-06080-00	E-5
96100-60010-00	E-10
96100-60010-00	E-6
96100-62010-00	E-10
96100-62030-00	E-10
96120-60010-10L	E-7C-SELF
96140-63010-10	F-11-CAST
96140-63010-10	F-11-SPOKE
96140-63010-10	F-9-CAST
96140-63010-10	F-9-SPOKE
96150-62030-10	F-11-CAST
96150-62030-10	F-11-SPOKE
96211-08000	F-17
96211-08000	F-5
96220-30085	E-12
96700-08020-00	F-2
97252-51162-10	F-9-SPOKE
97338-51179-10	F-11-SPOKE
97603-51162-10	F-9-SPOKE
97604-51178-10	F-11-SPOKE
98056-57738-00	E-1
98200-11000	F-24-KICK
98200-11000	F-24-SELF
98200-11500	F-24-KICK
98200-11500	F-24-SELF
99001-14170	F-26
99101-KST-1000	E-13
99103-KST-0380	E-13

PART NO	BLOCK
---------	-------

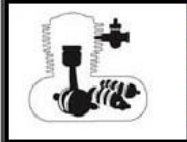
PART NO	BLOCK
---------	-------



E-1	CYLINDER HEAD COVER / INLET PIPE	1
E-2	CYLINDER/ CYLINDER HEAD	2
E-3	CAM SHAFT/VALVE	3



E-4	CAM CHAIN TENSIONER	4
E-5	RIGHT CRANKCASE COVER	5
E-6	CLUTCH	6
E-7A-SELF	LEFT CRANK CASE COVER / AC GEN. ASSY.	8
E-7B-SELF	STARTING CLUTCH	10
E-7C-SELF	STARTING MOTOR	11
E-7-KICK	LEFT CRANK CASE COVER / AC GEN. ASSY.	12
E-8-KICK	CRANK CASE/ OIL PUMP	14
E-8-SELF	CRANK CASE/ OIL PUMP	16



E-9	CRANK SHAFT/ PISTON	18
E-10	TRANSMISSION	21
E-11	KICK STARTER	23
E-12	GEAR SHIFTER	24
E-13	CARBURETTOR	26



F-1	HEAD LIGHT	27
F-2	SPEEDOMETER/ CABLE/ KEY SET	30
F-3-KICK-CAST	HANDLE LEVER/ SWITCH/ CONTROL CABLE	32
F-3-KICK-SPOKE	HANDLE LEVER/ SWITCH/ CONTROL CABLE	34
F-3-SELF-CAST	HANDLE LEVER/ SWITCH/ CONTROL CABLE	36
F-3-SELF-SPOKE	HANDLE LEVER/ SWITCH/ CONTROL CABLE	38

F-4	HANDLE PIPE/ TOP BRIDGE	40
F-5	STEERING STEM	41
F-6	FRONT FENDER	42
F-7	FRONT FORK	43



F-8-CAST	FR. BRAKE PANEL	44
F-8-SPOKE	FR. BRAKE PANEL	45
F-9-CAST	FRONT WHEEL	46
F-9-SPOKE	FRONT WHEEL	47
F-10-CAST	REAR BRAKE PANEL	48
F-10-SPOKE	REAR BRAKE PANEL	49

F-11-CAST	REAR WHEEL	50
F-11-SPOKE	REAR WHEEL	51



F-12	SEAT ASSY / GRIP REAR	53
F-13	FUEL TANK	55
F-14-KICK	SIDE COVER	57
F-14-SELF	SIDE COVER	58
F-15-KICK	AIR CLEANER	59
F-15-SELF	AIR CLEANER	61



F-16	MUFFLER	63
F-17	STEP ASSY / KICK STARTER/ GEAR CHANGE PEDAL	64
F-18-KICK	MAIN STAND/ PEDAL BRAKE	66
F-18-SELF	MAIN STAND/ PEDAL BRAKE	67
F-19	REAR FORK / CHAIN CASE	68
F-20	REAR CUSHION	69



F-21	REAR FENDER	70
F-22	WINKER	71
F-23	TAIL LIGHT	73



F-24-KICK	WIRE HARNESS BATTERY	74
F-24-SELF	WIRE HARNESS BATTERY	75
F-25-KICK	FARME BODY/ UTILITY BOX	77
F-25-SELF	FARME BODY/ UTILITY BOX	79
F-26	TOOLS	81
F-27-KICK	STRIPES/ MARKS	82
F-27-SELF	STRIPES/ MARKS	96
F-28	GUARD ENGINE ACCESSORIES (OPTIONAL)	110
F-29	GUARD SARI ACCESSORIES (OPTIONAL)	111
F-30	MARK CAUTION	112

